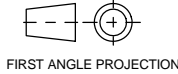


**PUBLICATION  
P12.353**

ISSUE: 1  
DRAWN: Chris Arrowsmith

If this document is printed in hardcopy, it is for information use only and therefore is not subject to updating controls. Always refer to viewer for latest issue.



FIRST ANGLE PROJECTION

THIS DRAWING IS CONFIDENTIAL AND IS SUPPLIED ON THE EXPRESS CONDITION THAT IT SHALL NOT BE LOANED OR COPIED OR DISCLOSED TO ANY OTHER PERSON OR USED FOR ANY OTHER PURPOSE WITHOUT THE WRITTEN CONSENT OF AP RACING LTD.



© AP Racing Ltd. 2005

AP Racing  
Wheler Road  
Coventry  
CV3 4LB

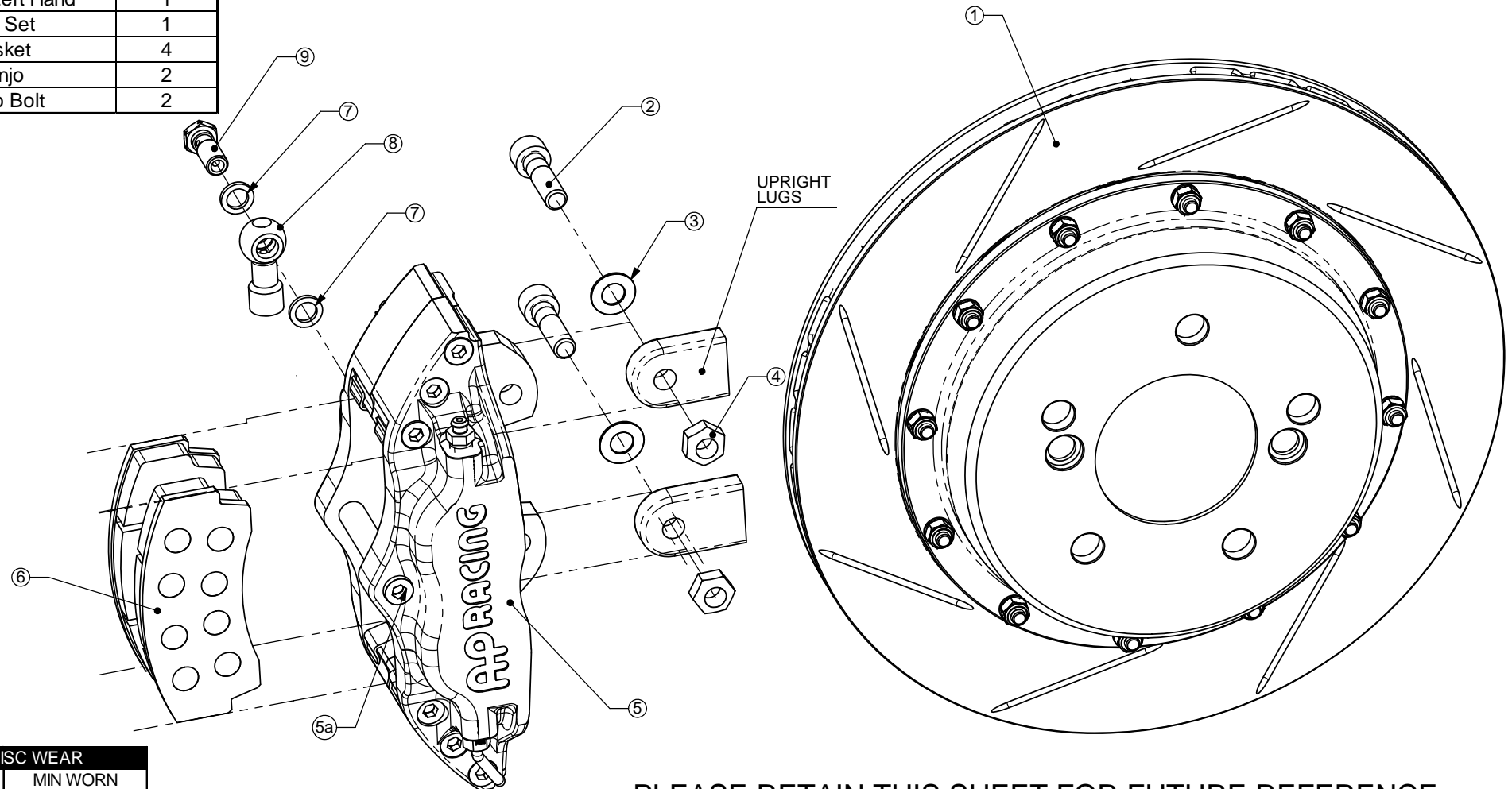
Tel: +44 024 7663 9595  
Fax: +44 024 7663 9559  
e-mail: sales@ap racing.co.uk  
Web site: HTTP://www.ap racing.com

| BMW E46 M3 REAR<br>KIT NUMBER CP5144-1005:G8 |                    |     |
|--|--------------------|-----|
| Ref  | Description        | QTY |
| 1  | Disc Right Hand    | 1   |
|  | Disc Left Hand     | 1   |
| 2  | Mounting Bolt      | 4   |
| 3  | Washer             | 4   |
| 4  | Mounting Nut       | 4   |
| 5  | Caliper Right Hand | 1   |
|  | Caliper Left Hand  | 1   |
| 6  | Pad Set            | 1   |
| 7  | Gasket             | 4   |
| 8  | Banjo              | 2   |
| 9  | Banjo Bolt         | 2   |

| TIGHTENING TORQUES |        |
|--------------------|--------|
| ITEM & REF         | TORQUE |
| BOLT(2) & NUT(4)   | 58Nm   |
| BANJO TO HOSE      | 30Nm   |
| BOLT(9)            | 25Nm   |
| CALIPER BLEEDSCREW | 17Nm   |
| BOLT (5a)          | 13Nm   |

THIS IS A PICTORIAL VIEW FOR REFERENCE ONLY. SOME PARTS MAY VARY FROM THOSE SUPPLIED. AP RACING RESERVE THE RIGHT TO CHANGE COMPONENTS WITHOUT PRIOR NOTICE.

**RIGHT HAND AS SHOWN  
LEFT HAND OPPOSITE**



| BRAKE DISC WEAR |          |
|-----------------|----------|
| NEW             | MIN WORN |
| 20.00mm         | 19.00mm  |

**PLEASE RETAIN THIS SHEET FOR FUTURE REFERENCE**