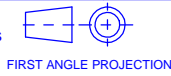


PUBLICATION P12.080

ISSUE : 3

If this document is printed in hardcopy, it is for information use only and therefore is not subject to updating controls. Always refer to viewer for latest issue.



THIS DRAWING IS CONFIDENTIAL AND IS SUPPLIED ON THE EXPRESS CONDITION THAT IT SHALL NOT BE LOANED OR COPIED OR DISCLOSED TO ANY OTHER PERSON OR USED FOR ANY OTHER PURPOSE WITHOUT THE WRITTEN CONSENT OF AP RACING LTD.

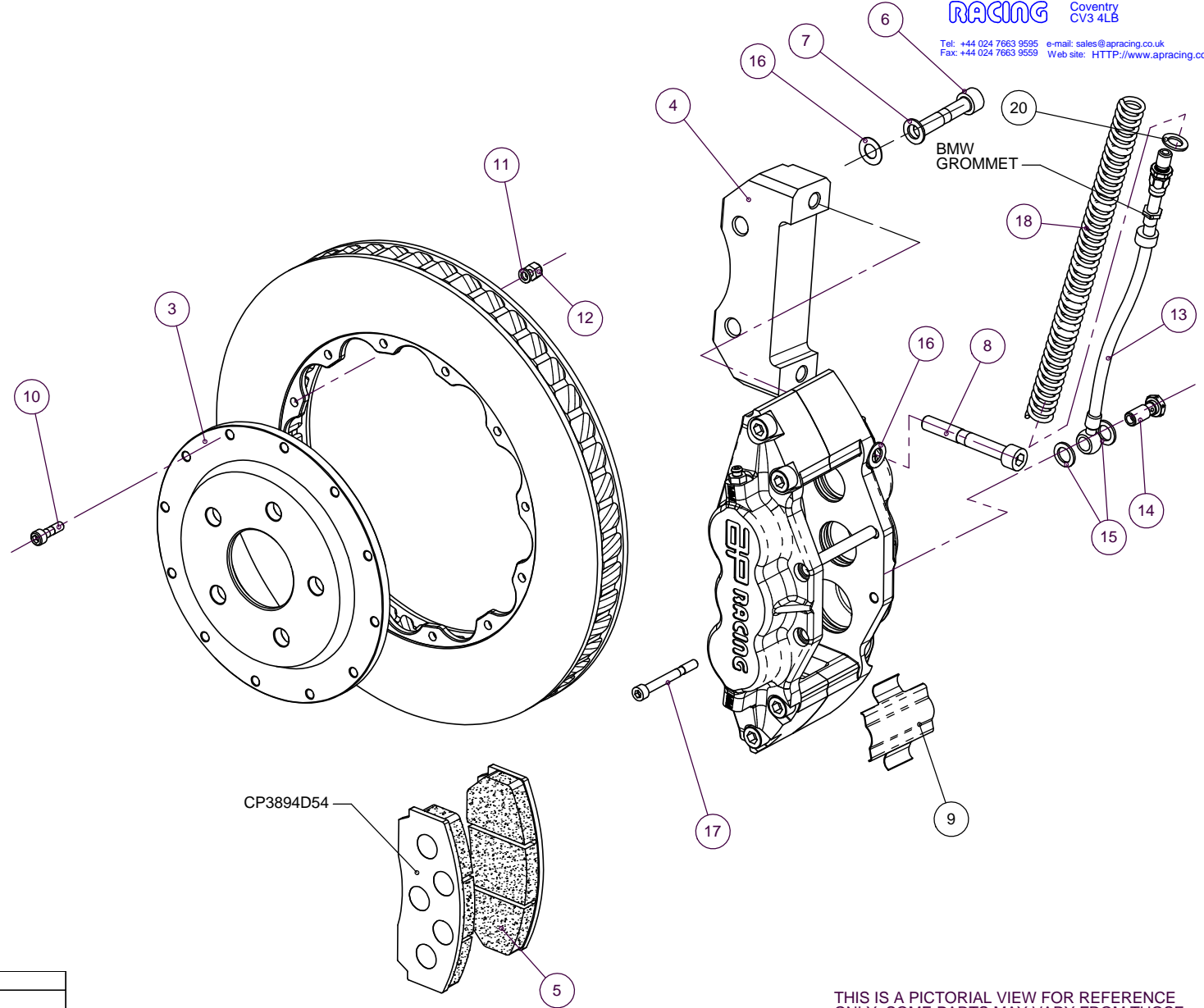


© AP Racing Ltd. 2000
AP Racing
Wheler Road
Coventry
CV3 4LB

Tel: +44 024 7663 9595 e-mail: sales@apracing.co.uk
Fax: +44 024 7663 9559 Web site: HTTP://www.apracing.com

BMW M3 E36 KIT NUMBER CP5555-1009		
Ref	Description	QTY
1	Caliper Right Hand	1
	Caliper Left Hand	1
2	Disc Right Hand	1
	Disc Left Hand	1
3	Mounting Bell	2
4	Mounting Bracket	2
5	Pad Set	1
6	Bracket Mtg Bolt	4
7	0.5mm Washer/Shim	12
8	Caliper Mtg Bolt	4
9	Anti-Rattle Clip	2
10	Disc Mtg Bolt	24
11	Washer	24
12	Disc Mtg Nut	24
13	Hose Kit	2
14	Banjo Bolt	2
15	Gasket	4
16	Washer	4
17	Pad Retainer Bolt	2
18	Nylon Armouring	2
19	Washer	4
20	Washer	2
21		
22		
23		
24		
25		

Tightening Torques	
Part Ref #	Torque
Bolt Ref 8	68NM
Bolt Ref 6	78NM
Bolt/Nut Ref 10/12	14NM
Bolt Ref 17	25NM
Banjo Bolt Ref 14	13NM
Caliper Bleed Screw	17NM



BRAKE DISC WEAR	
NEW	MIN WORN
31.75mm	30.50mm

Comments

Check caliper is central over disc, Use 0.5mm shims (Part ref 7) to adjust if required. The splashguard can be retained but check that it clears the disc face, as it may require slight modification.

PLEASE RETAIN THIS SHEET FOR FUTURE REFERENCE

THIS IS A PICTORIAL VIEW FOR REFERENCE ONLY. SOME PARTS MAY VARY FROM THOSE SUPPLIED. AP RACING RESERVE THE RIGHT TO CHANGE COMPONENTS WITHOUT PRIOR NOTICE.

DRAWN : astrachan