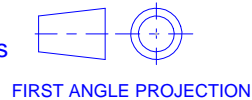


# PUBLICATION P12.102

ISSUE : 2

If this document is printed in hardcopy, it is for information use only and therefore is not subject to updating controls. Always refer to viewer for latest issue.



THIS DRAWING IS CONFIDENTIAL AND IS SUPPLIED ON THE EXPRESS CONDITION THAT IT SHALL NOT BE LOANED OR COPIED OR DISCLOSED TO ANY OTHER PERSON OR USED FOR ANY OTHER PURPOSE WITHOUT THE WRITTEN CONSENT OF AP RACING LTD.



© AP Racing Ltd. 2000

AP Racing  
Wheler Road  
Coventry  
CV3 4LB

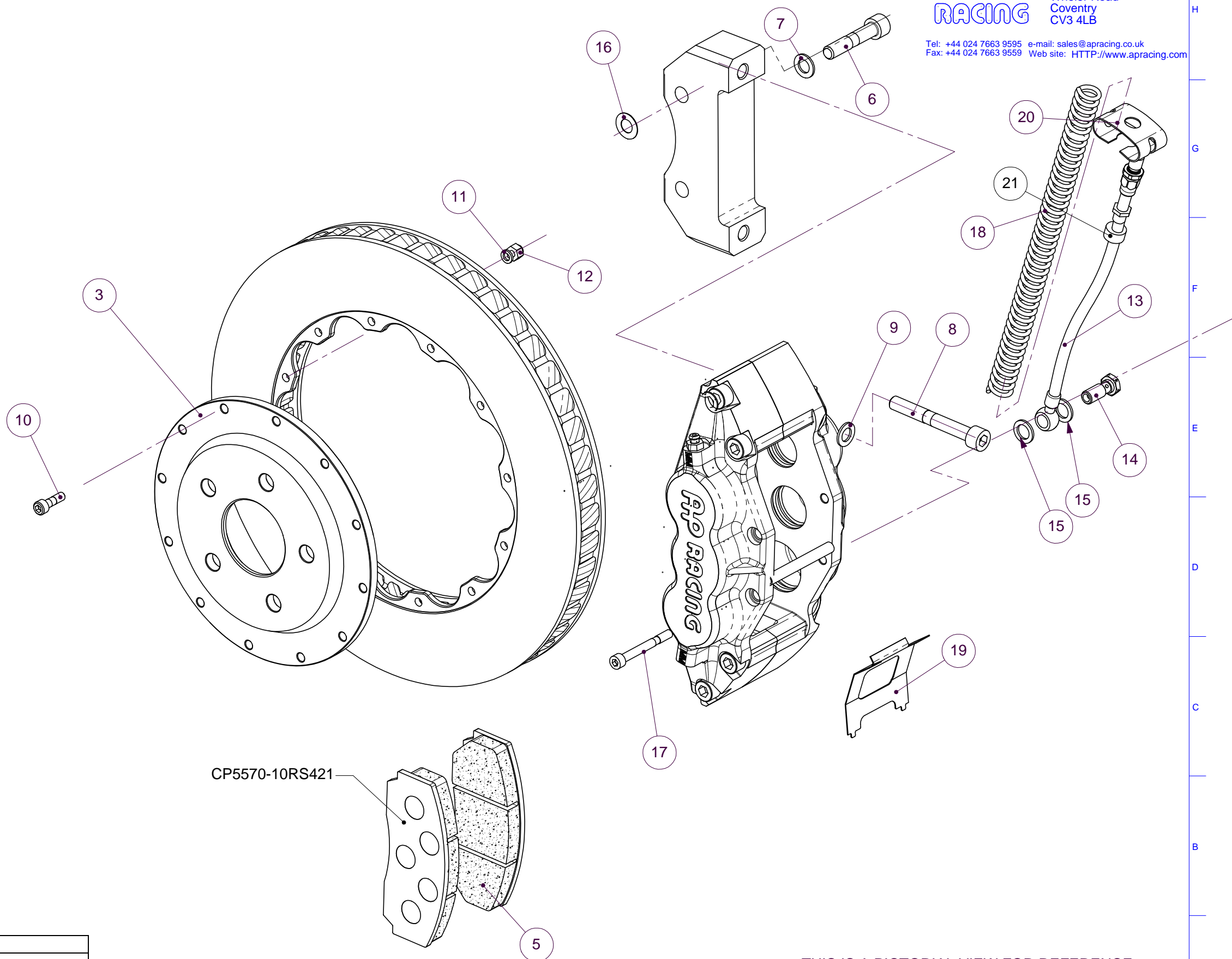
Tel: +44 024 7663 9595 e-mail: sales@apracing.co.uk  
Fax: +44 024 7663 9559 Web site: HTTP://www.apracing.com

## AUDITT & S3 17" WHEEL KIT PART NUMBER CP5570-1009

Ref	Description	QTY
1	Caliper Right Hand	1
	Caliper Left Hand	1
2	Disc Right Hand	1
	Disc Left Hand	1
3	Mounting Bell	2
4	Mounting Bracket	2
5	Pad Set	1
6	Bracket Mtg Bolt	4
7	Washer	4
8	Caliper Mtg Bolt	4
9	Washer	4
10	Disc Mtg Bolt	24
11	Washer	24
12	Disc Mtg Nut	24
13	Hose Kit	1
14	Banjo	2
15	Gasket	4
16	0.5mm Shim	12
17	Pad Retainer Bolt	2
18	Nylon Armouring	2
19	Anti-Rattle Clip	2
20	Spring Clip	2
21	Grommet	2
22		
23		
24		
25		

### Tightening Torques

Part Ref #	Torque
Bolt Ref 6	To Manufacturers Spec
Bolt Ref 8	58NM
Bolt Ref 10	14NM
Banjo Bolt Ref 14	25NM
Bolt Ref 17	14NM
Caliper Bleed Screw	17NM



CP5570-10RS421

BRAKE DISC WEAR	
NEW	MIN WORN
27.94mm	26.94mm

Comments
Disc splash guard is retained, but ensure that it clears the disc. The centre hose location bracket requires the hole enlarging +1mm to allow the banjo fitting to pass through. (see FIG1)

PLEASE RETAIN THIS SHEET FOR FUTURE REFERENCE

THIS IS A PICTORIAL VIEW FOR REFERENCE ONLY. SOME PARTS MAY VARY FROM THOSE SUPPLIED. AP RACING RESERVE THE RIGHT TO CHANGE COMPONENTS WITHOUT PRIOR NOTICE.

DRAWN : astrachan