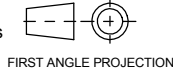


PUBLICATION P12.132.

If this document is printed in hardcopy, it is for information use only and therefore is not subject to updating controls. Always refer to viewer for latest issue.

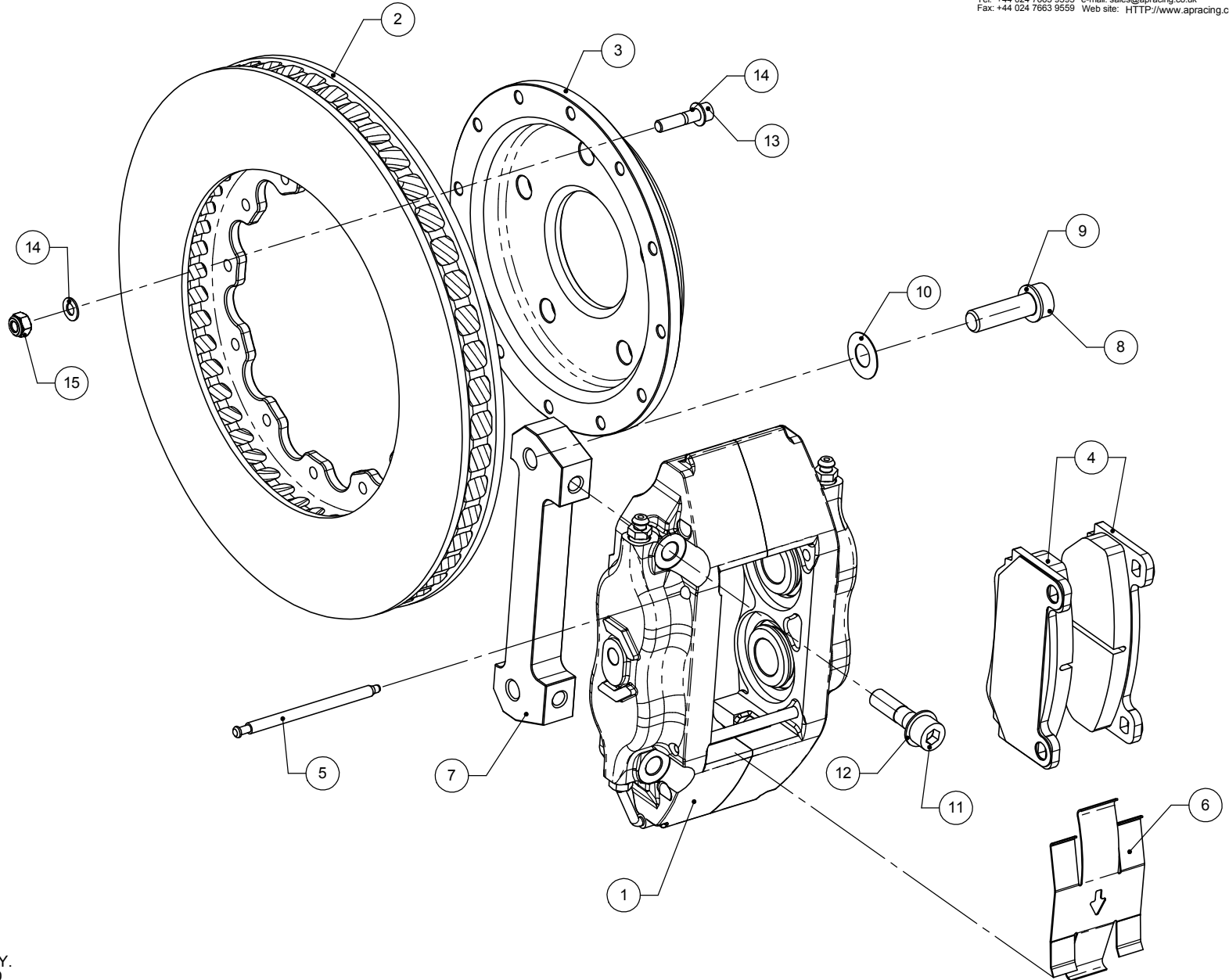


THIS DRAWING IS CONFIDENTIAL AND IS SUPPLIED ON THE EXPRESS CONDITION THAT IT SHALL NOT BE LOANED OR COPIED OR DISCLOSED TO ANY OTHER PERSON OR USED FOR ANY OTHER PURPOSE WITHOUT THE WRITTEN CONSENT OF AP RACING LTD.



Tel: +44 024 7663 9595 e-mail: sales@ap racing.co.uk
Fax: +44 024 7663 9559 Web site: HTTP://www.ap racing.com

HONDA CIVIC TYPE R KIT NUMBER CP7600-1000:G4		
Ref	Description	QTY
1	Caliper Right Hand	1
	Caliper Left Hand	1
2	Disc Right Hand	1
	Disc Left Hand	1
3	Mounting Bell	2
4	Pad Set (4)	1
5	Pad Retaining Pin	4
6	Anti-Rattle Clip	2
7	Mounting Bracket	2
8	Bracket Retaining M12 Bolt	4
9	Washer	4
10	Shim Pack	8
11	Caliper Retaining M10 Bolt	4
12	Washer	4
13	Disc Mounting Bolt	24
14	Washer	48
15	Disc Mounting Nut	24
16		
17		
18		
19		
20		
21		
22		
23		
24		
25		



THIS IS A PICTORIAL VIEW FOR REFERENCE ONLY. SOME PARTS MAY VARY FROM THOSE SUPPLIED. AP RACING RESERVE THE RIGHT TO CHANGE COMPONENTS WITHOUT PRIOR NOTICE.

PLEASE RETAIN THIS SHEET FOR FUTURE REFERENCE

DRAWN : D.ARROWSMITH

ISSUE 2