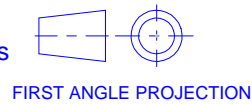


PUBLICATION P12.149

If this document is printed in hardcopy, it is for information use only and therefore is not subject to updating controls. Always refer to viewer for latest issue.



THIS DRAWING IS CONFIDENTIAL AND IS SUPPLIED ON THE EXPRESS CONDITION THAT IT SHALL NOT BE LOANED OR COPIED OR DISCLOSED TO ANY OTHER PERSON OR USED FOR ANY OTHER PURPOSE WITHOUT THE WRITTEN CONSENT OF AP RACING LTD.

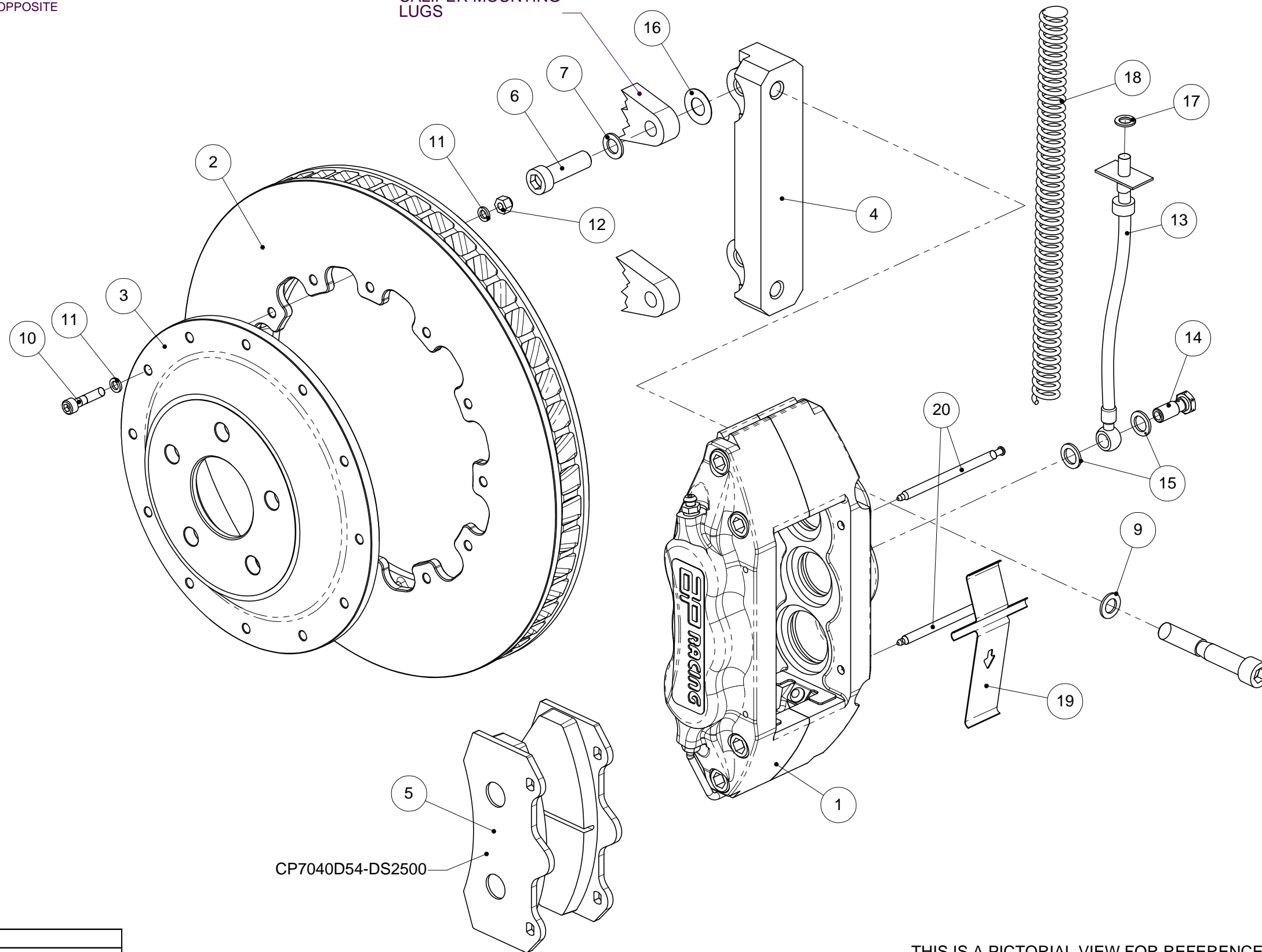


Tel: +44 024 7663 9595 e-mail: sales@ap racing.co.uk
Fax: +44 024 7663 9559 Web site: HTTP://www.ap racing.com

FORD FOCUS RS 20" OZ KIT NUMBER CP7040-1006		
Ref	Description	QTY
1	Caliper Right Hand	1
	Caliper Left Hand	1
2	Disc Right Hand	1
	Disc Left Hand	1
3	Mounting Bell	2
4	Mounting Bracket	2
5	Pad Set	1
6	Bracket Mtg Bolt	4
7	Washer	4
8	Caliper Mtg Bolt	4
9	Washer	4
10	Disc Mtg Bolt	24
11	Washer	48
12	Disc Mtg Nut	24
13	Hose Kit	1
14	Banjo	2
15	Gasket	4
16	0.5mm Shim	12
17	Hose Location Washer	2
18	Nylon Armouring	2
19	Anti-Rattle Clip	2
20	Pad Retaining Pins	4

LEFT HAND AS SHOWN
RIGHT HAND OPPOSITE

CALIPER MOUNTING
LUGS



Tightening Torques	
Part Ref #	Torque
Bolt Ref 6	68NM
Bolt Ref 8	68NM
Bolt Ref 10	14NM
Banjo Bolt Ref 14	25NM
Caliper Bleed Screw	17NM

BRAKE DISC WEAR	
NEW	MIN WORN
32.00mm	30.50mm

Comments

CENTRALISE CALIPER OVER THE DISC, USING 0.50mm SHIMS (16) TO SPACE MOUNTING BRACKET.

PLEASE RETAIN THIS SHEET FOR FUTURE REFERENCE

THIS IS A PICTORIAL VIEW FOR REFERENCE ONLY. SOME PARTS MAY VARY FROM THOSE SUPPLIED. AP RACING RESERVE THE RIGHT TO CHANGE COMPONENTS WITHOUT PRIOR NOTICE.

DRAWN : JOE HARTOG