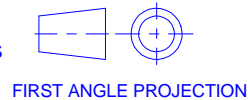


PUBLICATION P12.204 ISSUE : 3

If this document is printed in hardcopy, it is for information use only and therefore is not subject to updating controls. Always refer to viewer for latest issue.



THIS DRAWING IS CONFIDENTIAL AND IS SUPPLIED ON THE EXPRESS CONDITION THAT IT SHALL NOT BE LOANED OR COPIED OR DISCLOSED TO ANY OTHER PERSON OR USED FOR ANY OTHER PURPOSE WITHOUT THE WRITTEN CONSENT OF AP RACING LTD.



AP Racing
Wheler Road
Coventry
CV3 4LB

Tel: +44 024 7663 9595
Fax: +44 024 7663 9559
e-mail: sales@apracing.co.uk
Web site: HTTP://www.apracing.com

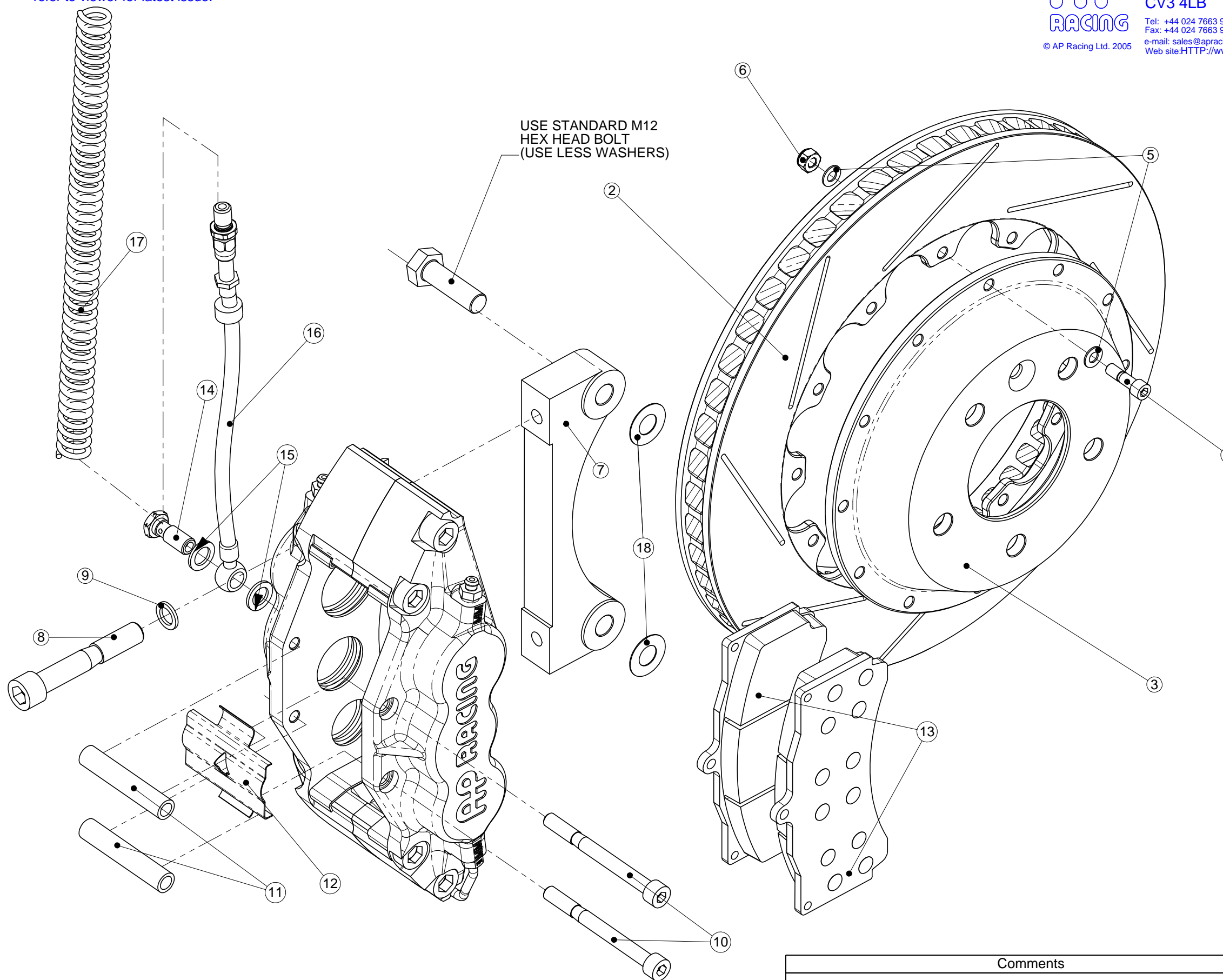
MAZDA RX7 BRAKE KIT FRONT KIT NUMBER CP5570-1016

Ref	Description	QTY
1	Caliper Right Hand	1
	Caliper Left Hand	1
2	Disc Right Hand	1
	Disc Left Hand	1
3	Mounting Bell	2
4	Disc Mtg Bolt	24
5	Washer	48
6	Nut	24
7	Mtg Bracket	2
8	Caliper Mtg Bolt	4
9	Washer	4
10	Pad Retainer Bolt	4
11	Pad Retainer	4
12	Anti-Rattle Clip	2
13	Pads	4
14	Banjo Bolt	2
15	Gasket	4
16	Hose Kit	2
17	Nylon Armouring	2
18	0.5 mm Washer Shim	12

Tightening Torques

Part Ref #	Torque
Bolt Ref 8	58NM
Bolt/Nut Ref 4/6	14NM
Caliper Bleed Screw	17NM
Banjo Bolt Ref 14	25NM

NEW	MIN WORN
28mm	26.5mm



PLEASE RETAIN THIS SHEET FOR FUTURE REFERENCE

Comments
Check caliper is central over disc, Use 0.5mm shims (Part ref 18) to adjust if required.