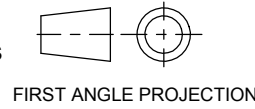


# PUBLICATION P12.221

If this document is printed in hardcopy, it is for information use only and therefore is not subject to updating controls. Always refer to viewer for latest issue.



THIS DRAWING IS CONFIDENTIAL AND IS SUPPLIED ON THE EXPRESS CONDITION THAT IT SHALL NOT BE LOANED OR COPIED OR DISCLOSED TO ANY OTHER PERSON OR USED FOR ANY OTHER PURPOSE WITHOUT THE WRITTEN CONSENT OF AP RACING LTD.



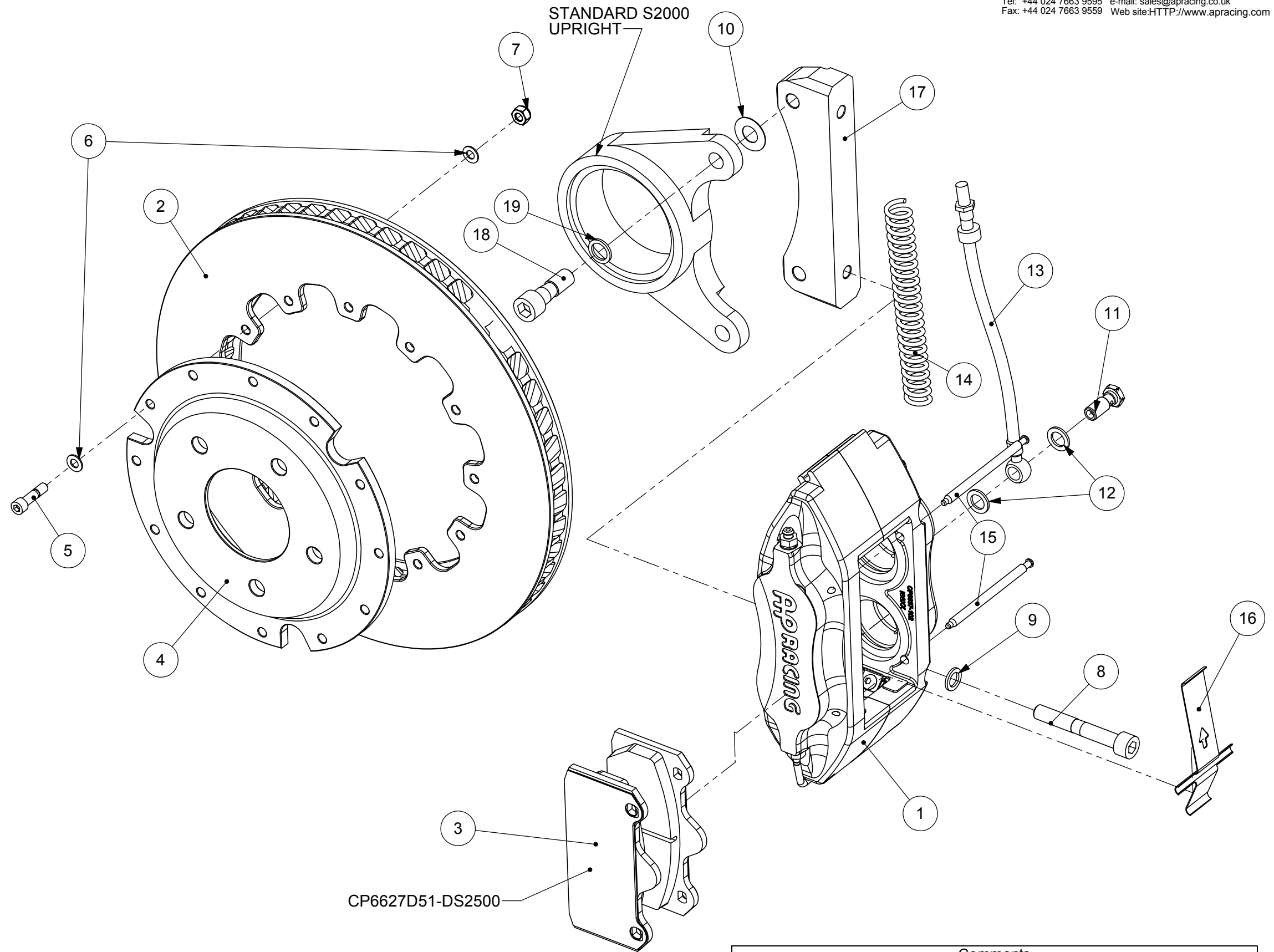
© AP Racing Ltd. 2004  
AP Racing  
Wheler Road  
Coventry  
CV3 4LB

Tel: +44 024 7663 9595 e-mail: sales@apracings.co.uk  
Fax: +44 024 7663 9559 Web site: HTTP://www.apracings.com

HONDA S2000 FRONT KIT NUMBER CP6637-1000 (all variants)		
Ref	Description	QTY
	Caliper Right Hand	1
1	Caliper Left Hand	1
2	Disc Non-Handed	2
3	Pad Set	1
4	Mounting Bell	2
5	Disc Mtg Bolt	24
6	Washer	48
7	Nut	24
8	Caliper Mtg Bolt	4
9	Washer	4
10	0.5mm Washer/Shim	12
11	Banjo Bolt	2
12	Gasket	4
13	Hose kit	1
14	Nylon Armour	2
15	Pad Retainer Pin	4
16	Anti-Rattle Clip	2
17	Bracket	2
18	Bracket Mtg Bolt	4
19	Washer	4

Tightening Torques	
Part Ref #	Torque
Bolt Ref 8 & 18	68NM
Bolt/Nut Ref 5/7	14NM
Banjo Bolt Ref 11	25NM
Caliper Bleed Screw	17NM

BRAKE DISC WEAR	
NEW	MIN WORN
26.00mm	25.00mm



CP6627D51-DS2500

Comments
Check caliper is central over disc, Use 0.5mm shims (Part ref 10) to adjust if required.

PLEASE RETAIN THIS SHEET FOR FUTURE REFERENCE