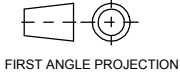


PUBLICATION P12.225

ISSUE: 4

If this document is printed in hardcopy, it is for information use only and therefore is not subject to updating controls. Always refer to viewer for latest issue.



THIS DRAWING IS CONFIDENTIAL AND IS SUPPLIED ON THE EXPRESS CONDITION THAT IT SHALL NOT BE LOANED OR COPIED OR DISCLOSED TO ANY OTHER PERSON OR USED FOR ANY OTHER PURPOSE WITHOUT THE WRITTEN CONSENT OF AP RACING LTD.



AP Racing
Wheler Road
Coventry
CV3 4LB

Tel: +44 024 7663 9595
Fax: +44 024 7663 9599
e-mail: sales@apracings.co.uk
Web site: HTTP://www.apracings.com

© AP Racing Ltd. 2005

HONDA CIVIC TYPE R KIT NUMBER CP6637-1002 (all variants)

Ref	Description	QTY
	Caliper Right Hand	1
1	Caliper Left Hand	1
2	Pad Set (4)	1
3	Anti-Rattle Clip	2
4	Pad Retainer Pin	4
5	Washer	4
6	Caliper Mtg Bolt Ø10x70	4
7	Bracket Mtg Bolt Ø12x40	4
8	Washer	4
9	Mounting Bracket	2
10	0.5mm Washer/Shim	12
	Disc Right Hand	1
11	Disc Left Hand	1
12	Mounting Bell	2
13	Disc Mtg Bolt Ø6.4x27	24
14	Washer	48
15	Nut	24
16	Civic Standard Gasket	4
17	Civic Standard Banjo Bolt	2
18	Civic Standard Brake Hose	2

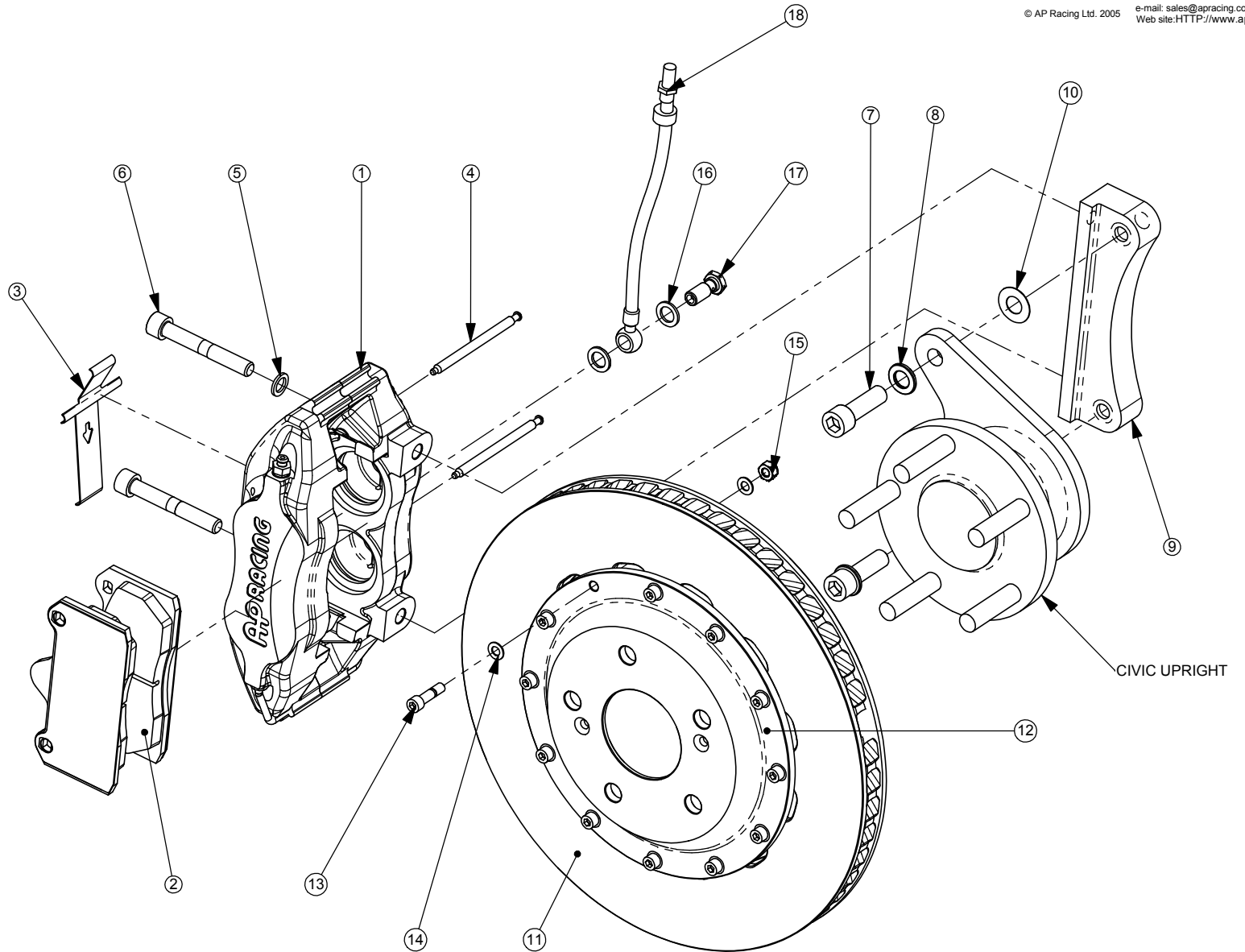
Tightening Torques	
Part Ref #	Torque
Bolt Ref 6	58NM
Bolt Ref 7	68NM
Bolt/Nut Ref 13/15	14NM
Banjo Bolt Ref 17	25NM
Caliper Bleed Screw	17NM

BRAKE DISC WEAR	
NEW	MIN WORN
26.00mm	24.50mm

NOTE:
PLEASE USE ORIGINAL HONDA BRAKE HOSE, GASKETS AND BANJO BOLT. ENSURE SPLASH GAUARD DOES NOT FOUL ON DISC FACE, BEND BACK AS NECESSARY TO CLEAR CALIPER.

Comments

Check caliper is central over disc, use 0.5mm shims (Part Ref 10) to adjust bracket if required
Illustration is of left hand assembly



PLEASE RETAIN THIS SHEET FOR FUTURE REFERENCE

THIS IS A PICTORIAL VIEW FOR REFERENCE ONLY. SOME PARTS MAY VARY FROM THOSE SUPPLIED. AP RACING RESERVE THE RIGHT TO CHANGE COMPONENTS WITHOUT PRIOR NOTICE.
Drawn: Suzie Wallace