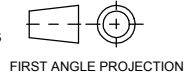


PUBLICATION P12.226

ISSUE: 2

If this document is printed in hardcopy, it is for information use only and therefore is not subject to updating controls. Always refer to viewer for latest issue.



THIS DRAWING IS CONFIDENTIAL AND IS SUPPLIED ON THE EXPRESS CONDITION THAT IT SHALL NOT BE LOANED OR COPIED OR DISCLOSED TO ANY OTHER PERSON OR USED FOR ANY OTHER PURPOSE WITHOUT THE WRITTEN CONSENT OF AP RACING LTD.



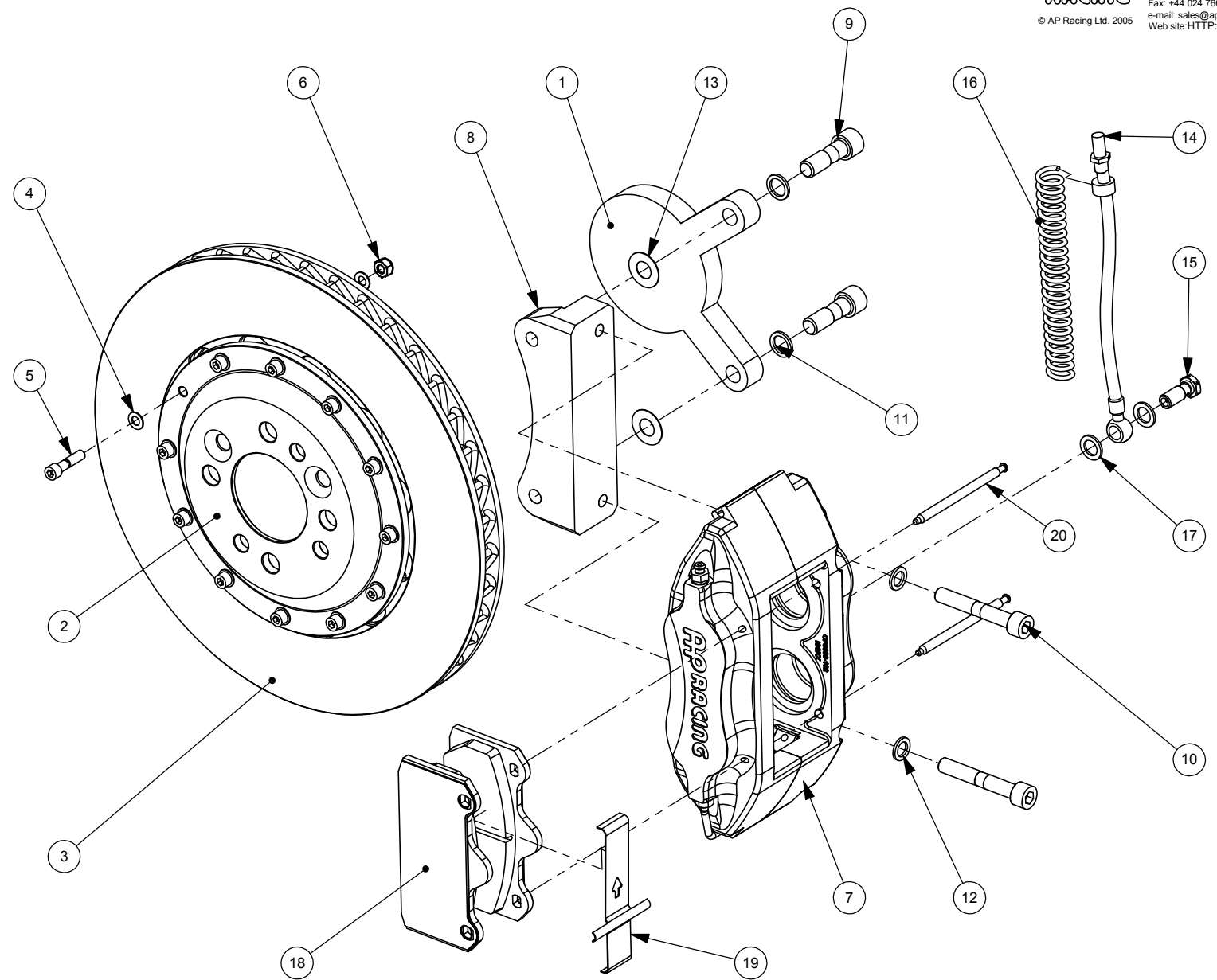
AP Racing
Wheler Road
Coventry
CV3 4LB

Tel: +44 024 7663 9595
Fax: +44 024 7663 9599
e-mail: sales@apracings.co.uk
Web site: HTTP://www.apracings.com

Ref	DESCRIPTION	QTY.
1	MINI 2007 FRONT UPRIGHT	-
2	MOUNTING BELL	2
3	DISC RIGHT HAND DISC LEFT HAND	1 1
4	Ø12.5 DISC WASHER	48
5	0.25UNF DISC Mtg BOLT	24
6	0.25UNF DISC Mtg NUT	24
7	CALIPER RIGHT HAND CALIPER LEFT HAND	1 1
8	MOUNTING BRACKET	2
9	M12x38 BRACKET Mtg BOLT	4
10	M10x65 CALIPER Mtg BOLT	4
11	Ø18 BRACKET WASHER	4
12	Ø16 CALIPER WASHER	4
13	0.5mm BRACKET SHIM	12
14	HOSE KIT	2
15	BANJO BOLT	2
16	NYLON ARMOUR	2
17	GASKET	4
18	CALIPER PADSET (4)	1
19	ANTI-RATTLE CLIP	2
20	PAD RETAINING PIN	4

Tightening Torques	
Part Ref #	Torque
Bolt Ref 10	58NM
Bolt Ref 9	68NM
Bolt/Nut Ref 5/6	14NM
Banjo Bolt Ref 15	25NM
Caliper Bleed Screw	17NM

NOTE:
PLEASE SEE P14.224 FOR MOUNTING BELL MOUNTING HOLE INSTRUCTIONS



PLEASE RETAIN THIS SHEET FOR FUTURE REFERENCE

THIS IS A PICTORIAL VIEW FOR REFERENCE ONLY. SOME PARTS MAY VARY FROM THOSE SUPPLIED. AP RACING RESERVE THE RIGHT TO CHANGE COMPONENTS WITHOUT PRIOR NOTICE.
Drawn By: Lee Stretch