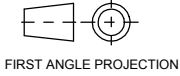


# PUBLICATION p12.276

If this document is printed in hardcopy, it is for information use only and therefore is not subject to updating controls. Always refer to viewer for latest issue.



THIS DRAWING IS CONFIDENTIAL AND IS SUPPLIED ON THE EXPRESS CONDITION THAT IT SHALL NOT BE LOANED OR COPIED OR DISCLOSED TO ANY OTHER PERSON OR USED FOR ANY OTHER PURPOSE WITHOUT THE WRITTEN CONSENT OF AP RACING LTD.



AP Racing  
Wheler Road  
Coventry  
CV3 4LB

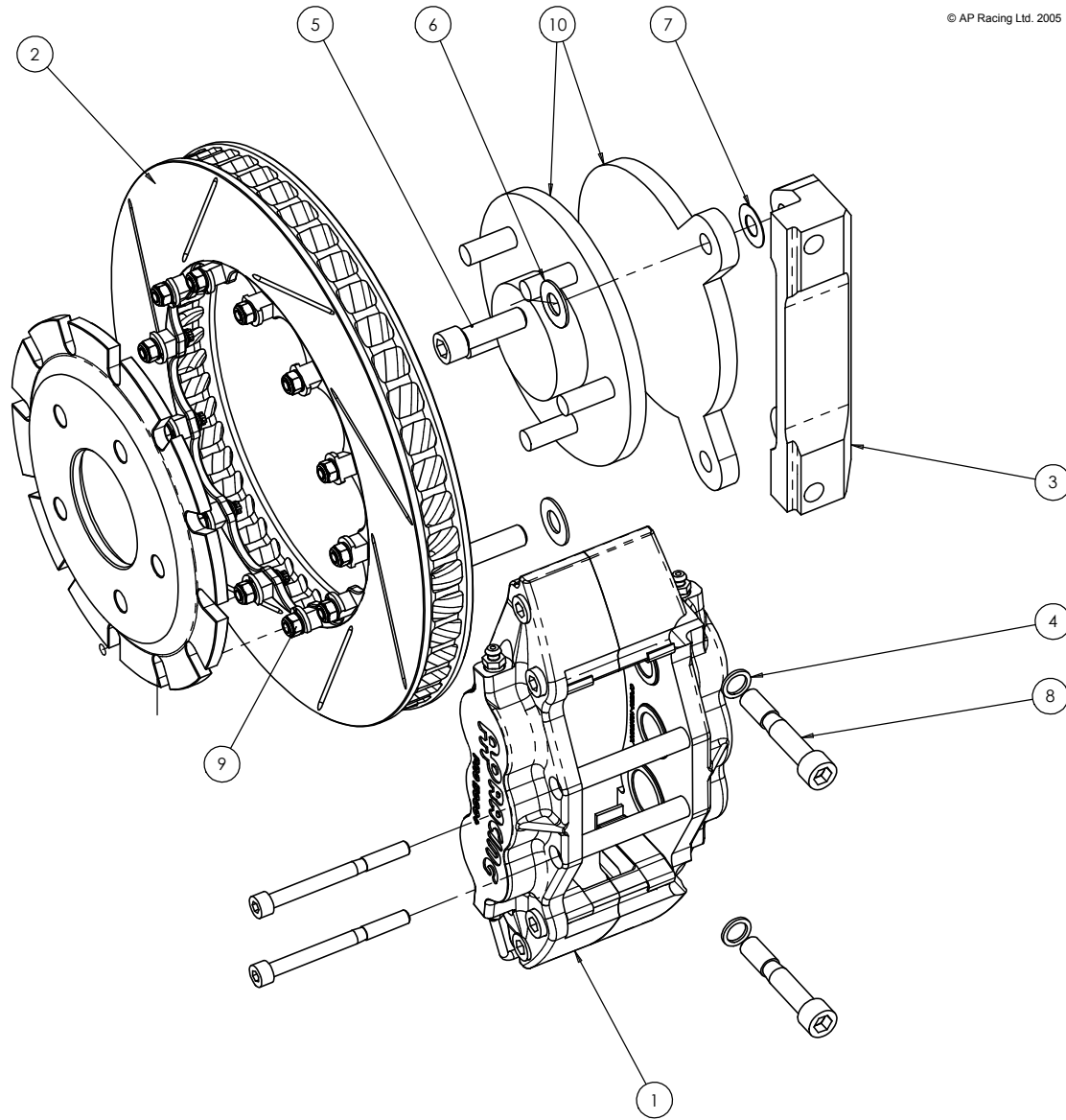
Tel: +44 024 7663 9595  
Fax: +44 024 7663 9559  
e-mail: sales@apracings.co.uk  
Web site: HTTP://www.apracings.com

© AP Racing Ltd. 2005

## MITSUBISHI EVOLUTION 7/8/9 FRONT KIT NUMBER CP5060-1003NP

Ref	Description	Quantity
1	Caliper Assembly Right Hand	1
	Caliper Assembly Left Hand	1
2	Disc/Bell Assembly RH	1
	Disc/Bell Assembly LH	1
3	Mounting Bracket	2
4	Caliper/Bracket Washer (18.0 O/D)	4
5	Bracket Mtg Bolt - 40mm Long	4
6	Mounting Bracket Washer (27.6 O/D)	4
7	Bracket Shim	8
8	Caliper/Bracket Bolt - 67 Long	4
9	Disc/Bell Bobbin Kit	
10	Upright Representation	

Note:- Disc/Bell Assembly shown disassembled for reference only.



Tightening Torques	
Part Ref #	Torque
Bolt Ref 8	68NM
Bolt Ref 5	68NM
Caliper Bleed Screw	17NM
Disc Mtg Bolts	14NM
Pad Retainer Bolts	13NM

BRAKE DISC WEAR	
NEW	MIN WORN
32.00mm	30.00mm

### Comments

Check caliper is central over disc, use 0.5mm shims (Part Ref 8) to adjust bracket if required, note disc assembly direction arrow on OD of bell  
Illustration is of right hand assembly

THIS IS A PICTORIAL VIEW FOR REFERENCE ONLY. SOME PARTS MAY VARY FROM THOSE SUPPLIED. AP RACING RESERVE THE RIGHT TO CHANGE COMPONENTS WITHOUT PRIOR NOTICE.

## PLEASE RETAIN THIS SHEET FOR FUTURE REFERENCE

DRAWN - Steve Thomas  
ISSUE 1. 22/06/10