

A1 INSTALLATION DRAWING

IF THIS DOCUMENT IS PRINTED IN HARDCOPY, IT IS FOR INFORMATION USE ONLY AND THEREFORE IS NOT SUBJECT TO UPDATING CONTROLS. ALWAYS REFER TO SOLIDWORKS VIEWER FOR LATEST ISSUE

FIRST ANGLE PROJECTION

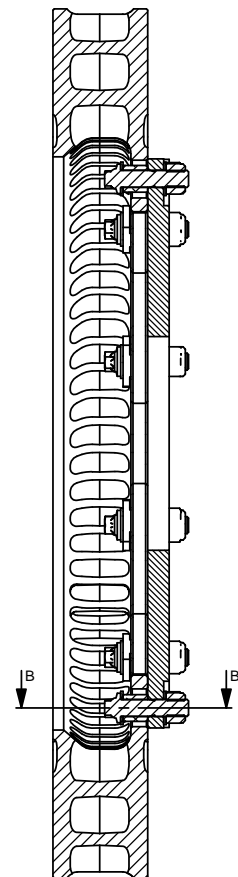
THIS DRAWING IS CONFIDENTIAL AND IS SUPPLIED ON THE EXPRESS CONDITION THAT IT SHALL NOT BE LOANED OR COPIED OR DISCLOSED TO ANY OTHER PERSON OR USED FOR ANY OTHER PURPOSE WITHOUT THE WRITTEN CONSENT OF AP RACING LTD.



AP Racing
Wheler Road
Coventry
CV3 4LB

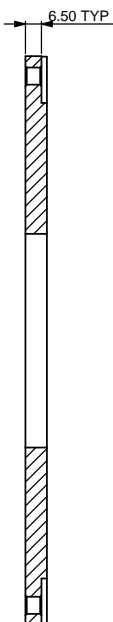
Tel: +44 (0) 24 7663 9595
Fax: +44 (0) 24 7663 9559
e-mail: engineering@apracings.co.uk
Web site: <http://www.apracings.com>

© AP Racing Ltd. 2005

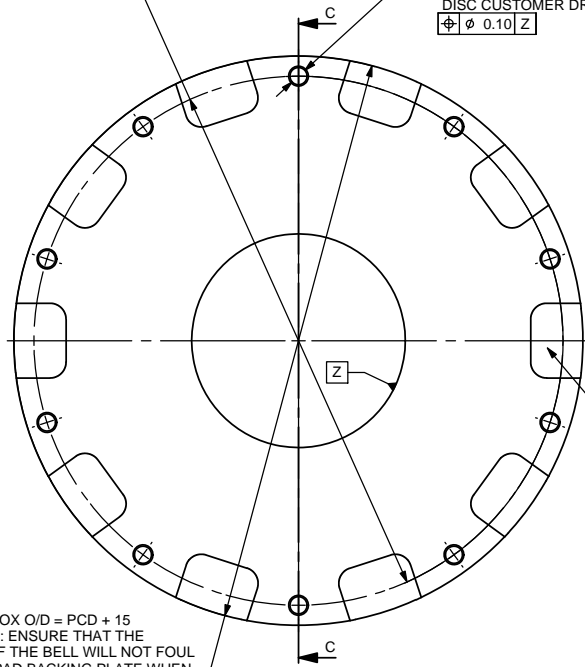


SECTION A-A
SCALE 1:1

DISC MOUNTING PCD. (VARIOUS)
SEE INDIVIDUAL DISC CUSTOMER DRAWING
FOR RECOMMENDED MOUNTING PCD



SECTION C-C
SCALE 1:1



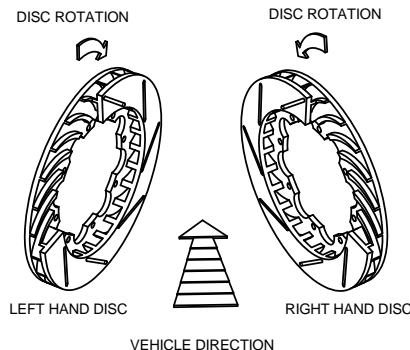
'X' HOLES $\phi 6.45$
 $\phi 6.40$ THRO' EQUI-SPACED
(FINAL SIZE, AFTER ANY TREATMENT.)
CHF. 0.5 x 45° EACH SIDE
FOR QUANTITY 'X' SEE INDIVIDUAL
DISC CUSTOMER DRAWING.

$\pm \phi 0.10$ Z

APPROX O/D = PCD + 15
NOTE: ENSURE THAT THE
OD OF THE BELL WILL NOT FOUL
THE PAD BACKING PLATE WHEN
THE PADS ARE FULLY WORN.

MOUNTING BELL DIMENSIONS TO SUIT AP RACING DISCS AND BOBBINS.
ALL OTHER DIMENSIONS ARE AT THE DISCRETION OF THE CUSTOMER.

DISC INSTALLATION

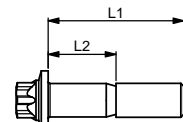


LEFT HAND DISC

RIGHT HAND DISC

VEHICLE DIRECTION

IT MAY BE NECESSARY TO ARRANGE CUT-OUTS
AS ILLUSTRATED TO ENCOURAGE DISC COOLING
ON THE BELL SIDE OF THE DISC
SEE AP RACING CATALOGUE FOR GUIDANCE ON
DISC COOLING AND OTHER ADVICE ON DISCS.

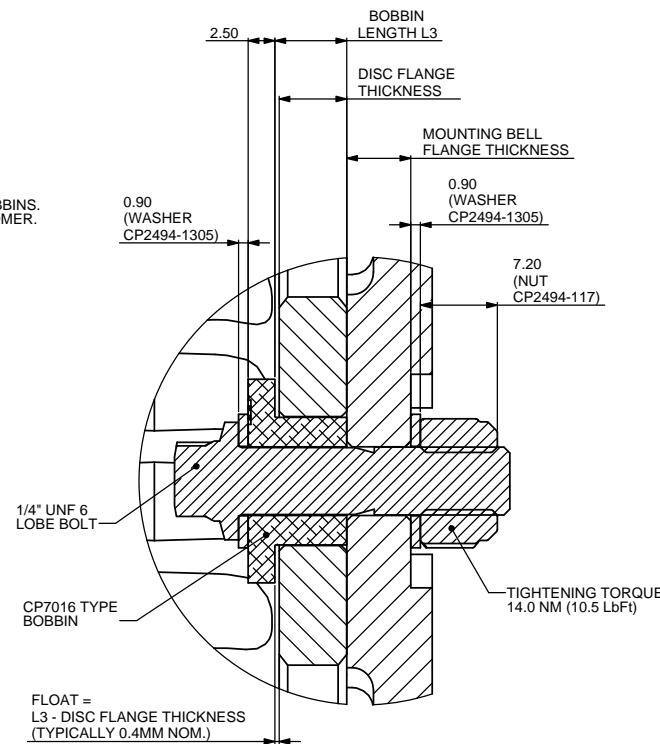


1/4" UNF 6 LOBE BOLT

NOTE:
BOBBINS HAVE A LETTER
STAMPED ON THEM THAT
CORRESPONDS TO THE
LAST LETTER IN THE PART No.

BOBBIN CHART	
BOBBIN PART NO.	BOBBIN LENGTH L3
CP7016-120MM	6.525
CP7016-126MV	7.075
CP7016-132MX	7.775
CP7016-139MS	7.925
CP7016-121MP	6.725
CP7016-125MT	6.975
CP7016-127MR	7.225

BOLT CHART		
PART NO.	L1	L2
CP3845-107	30.2	17.5
CP3845-102	27	14.3
CP3845-101	25.4	12.7
CP3845-100	22.2	9.5
CP3845-108	17.9	9.5



SECTION B-B
SCALE 4:1

1/4" UNF 6 LOBE BOLT

CP7016 TYPE BOBBIN

FLOAT =
L3 - DISC FLANGE THICKNESS
(TYPICALLY 0.4MM NOM.)

BOBBIN LENGTH L3

DISC FLANGE THICKNESS

MOUNTING BELL FLANGE THICKNESS

0.90 (WASHER CP2494-1305)

0.90 (WASHER CP2494-1305)

7.20 (NUT CP2494-117)

TIGHTENING TORQUE 14.0 NM (10.5 LbFt)

ALL DIMENSIONS ARE IN MILLIMETRES UNLESS OTHERWISE SPECIFIED

Issue No.	Date & No.	Alterations Particulars	Zone	Initials
1	09/03/11 B6188	FIRST ISSUE		
2	07/05/19 B8069_01	UPDATE BOBBIN CHART TO INCLUDE: CP7016-121MP, 125MT AND 127MR.	A5	AM

SCALE 2:1	SHEET 1 OF 1
DRAWN	jheritage
APPROVED	
DERIVED FROM	
TITLE	
WIDE BOBBIN (PLAIN HOLE) INSTALLATION DRAWING	
DRG NO.	CP7016-1CD