

A1 INSTALLATION DRAWING

IF THIS DOCUMENT IS PRINTED IN HARDCOPY, IT IS FOR INFORMATION USE ONLY AND THEREFORE IS NOT SUBJECT TO UPDATING CONTROLS. ALWAYS REFER TO SOLIDWORKS VIEWER FOR LATEST ISSUE



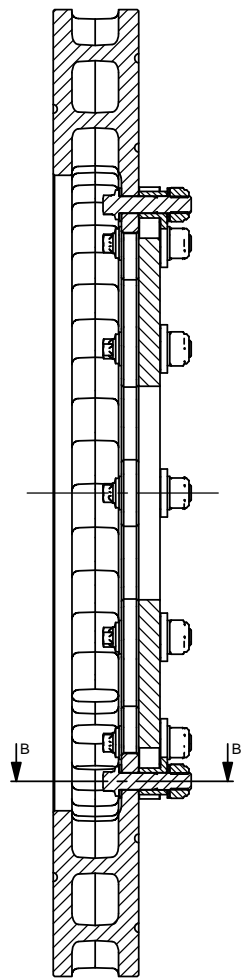
THIS DRAWING IS CONFIDENTIAL AND IS SUPPLIED ON THE EXPRESS CONDITION THAT IT SHALL NOT BE LOANED OR COPIED OR DISCLOSED TO ANY OTHER PERSON OR USED FOR ANY OTHER PURPOSE WITHOUT THE WRITTEN CONSENT OF AP RACING LTD.



AP Racing
Wheler Road
Coventry
CV3 4LB

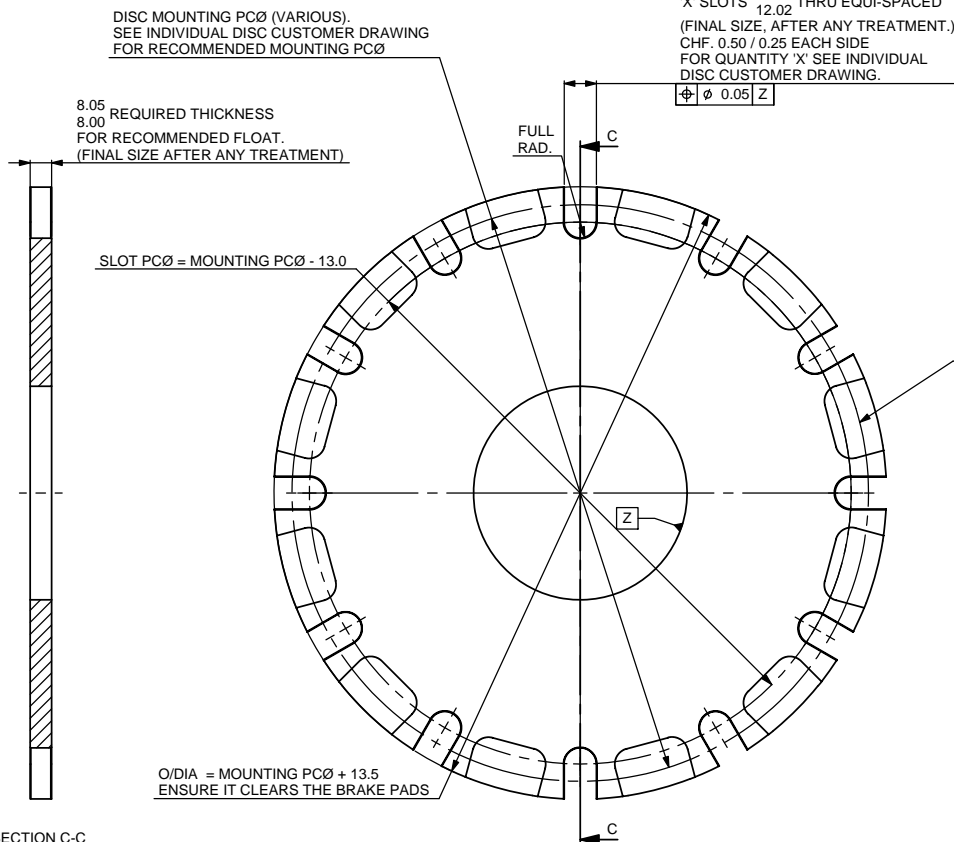
Tel: +44 (0) 24 7663 9595
Fax: +44 (0) 24 7663 9559
e-mail: engineering@apracings.co.uk
Web site: <http://www.apracings.com>

© AP Racing Ltd. 2005

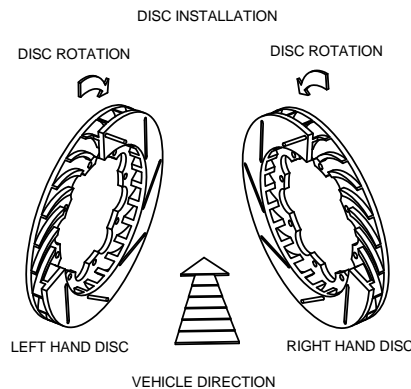


SECTION A-A
SCALE 1:1

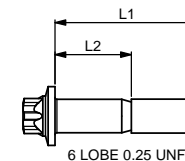
SECTION C-C
SCALE 1:1



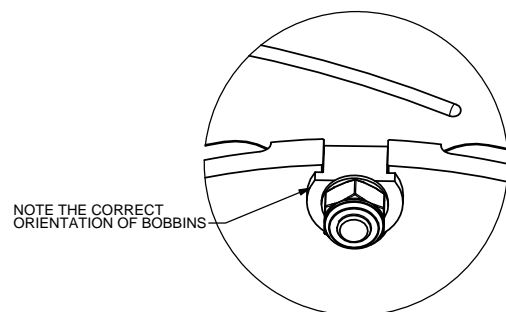
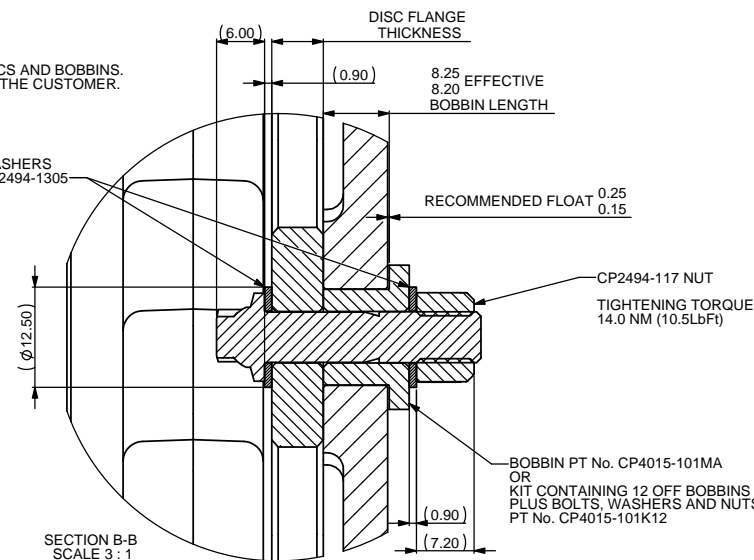
MOUNTING BELL DIMENSIONS TO SUIT AP RACING DISCS AND BOBBINS.
ALL OTHER DIMENSIONS ARE AT THE DISCRETION OF THE CUSTOMER.



IT MAY BE NECESSARY TO ARRANGE CUT-OUTS AS ILLUSTRATED TO ENCOURAGE DISC COOLING ON THE BELL SIDE OF THE DISC. SEE AP RACING CATALOGUE FOR GUIDANCE ON DISC COOLING AND OTHER ADVICE ON DISCS.



BOLT DIMENSIONS AND PART NUMBERS		
BOLT PART NO.	DIM 'L1'	DIM 'L2'
CP3845-100	22.2	9.5
CP3845-101	25.4	12.7
CP3845-102	27	14.3
CP3845-107	30.2	17.5



THE 'FLOAT IN THE BELL' SYSTEM HAS THE ADVANTAGE OF BEING USED WITH STANDARD BOLTED DISCS. FLOAT IS CONTROLLED BY THE THICKNESS OF THE BELL. DURING USE SOME WEAR OF THE BELL INEVITABLY OCCURS, WHICH TENDS TO INCREASE FLOAT AND REQUIRES MORE FREQUENT BELL REPLACEMENT THAN THE FLOAT IN THE DISC SYSTEM.
UNLESS OTHERWISE STATED ALL DIMENSIONS ARE IN mm

Issue No.	Date & No.	Alterations		Zone	Initials
		Particulars	#		
1	20/03/06 B4477	FIRST ISSUE			
2	14/02/19 B8018	REPLACE CAP HEAD BOLT WITH 6 LOBE 0.25 UNF BOLT. BOLT KIT TABLE ADDED AND RELEVANT VIEWS UPDATED.		E13	AM

SCALE 2:1	SHEET 1 OF 1
DRAWN	ANDREW MURRAY
APPROVED	
DERIVED FROM	
TITLE	GENERIC INSTALLATION DRG (FLOAT IN THE BELL TYPE)
DRG NO.	CP2494-2020CD