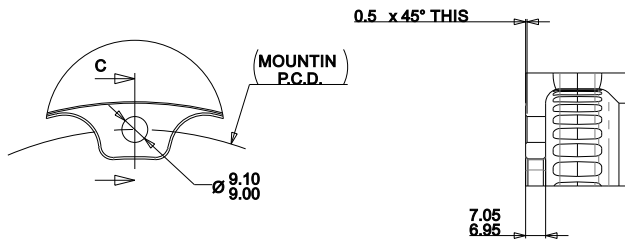
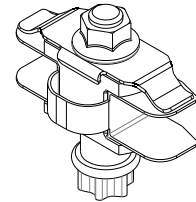
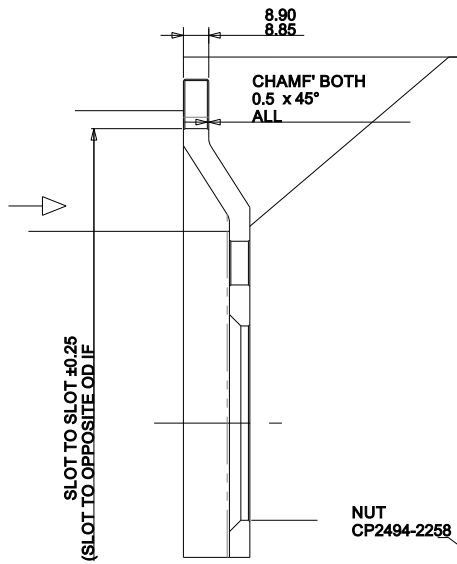


REQUIRED BELL DETAIL

DIMENSIONS AFTER TREATMENT



REQUIRED DISC DETAIL



BOBBIN ASSEMBLY

NOTE; SPRING TAB IS ORIENTATED AWAY FROM O.D.

ASSEMBLY AVAILABLE IN ASSYREFPARTS AREA

SEE CP2494-2261 FOR NON-CLIPPED 'Y' BOBBIN

