

A0 INSTALLATION DRAWING

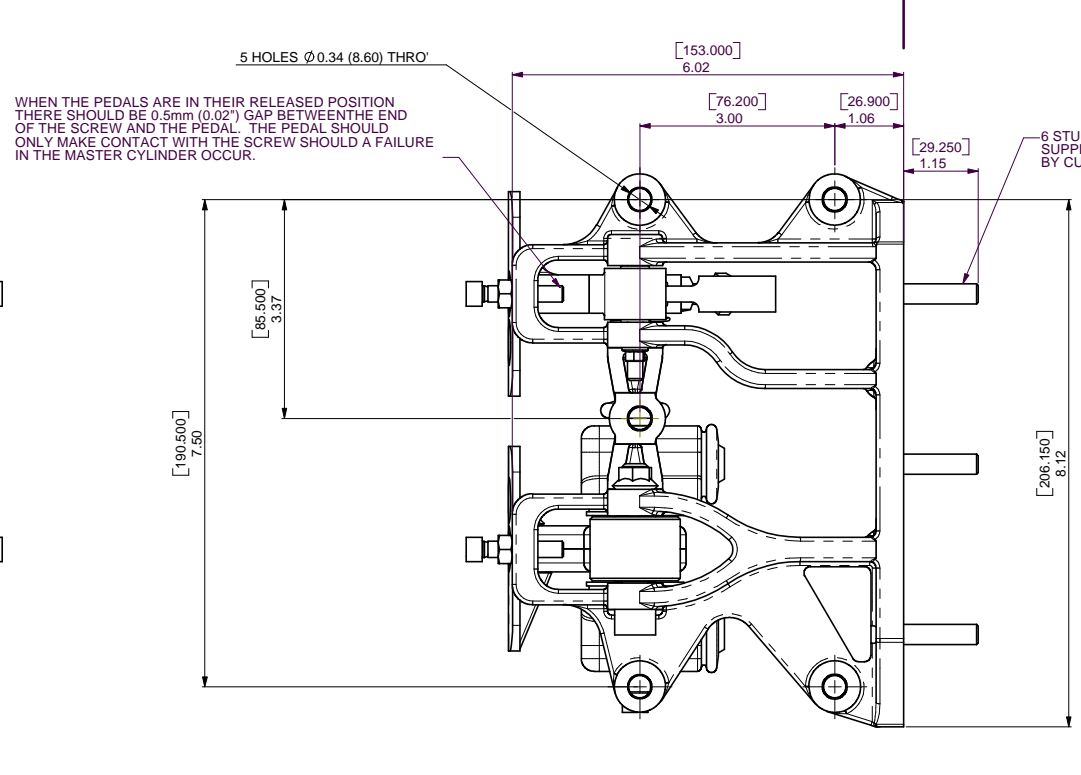
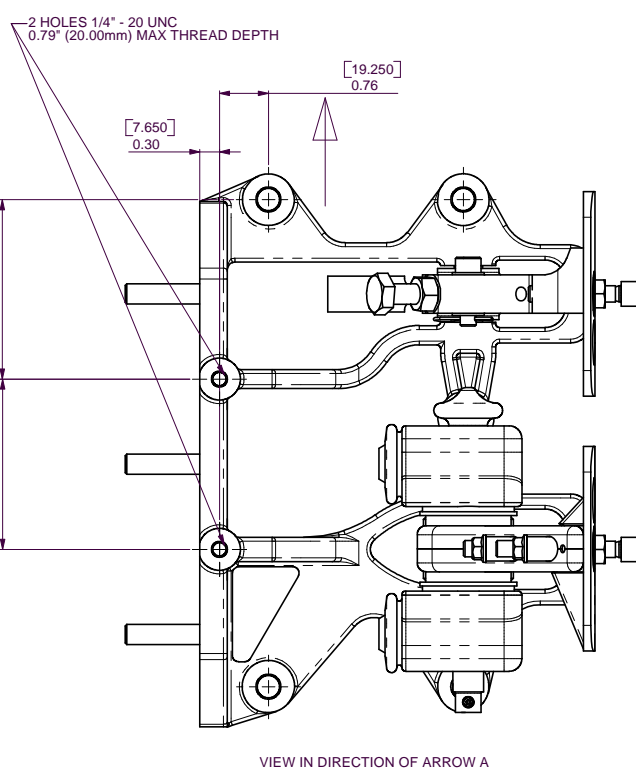
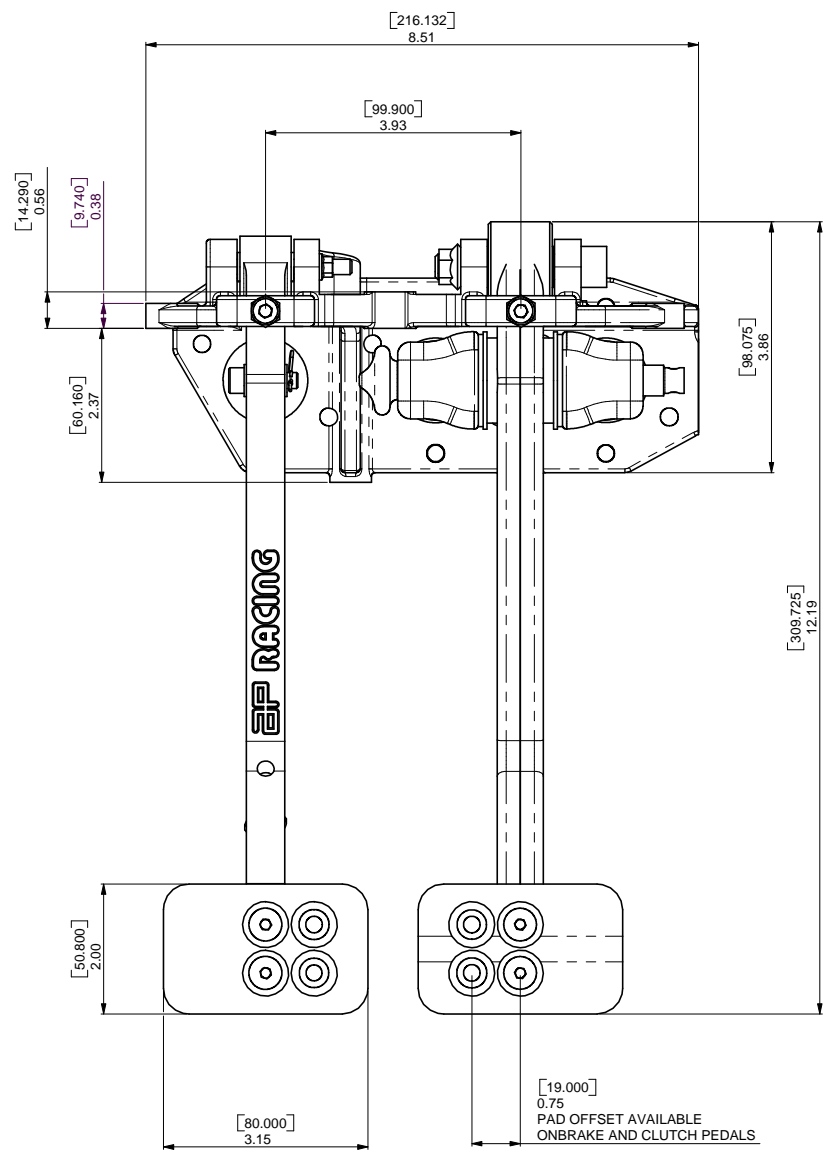
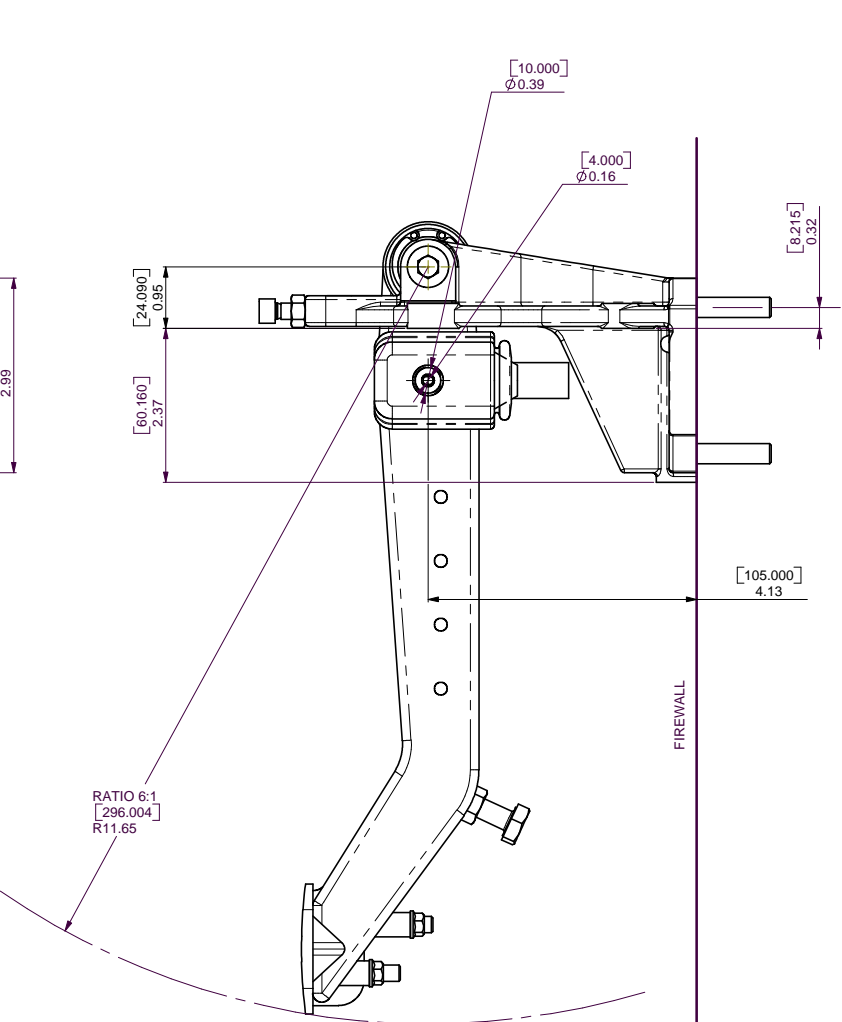
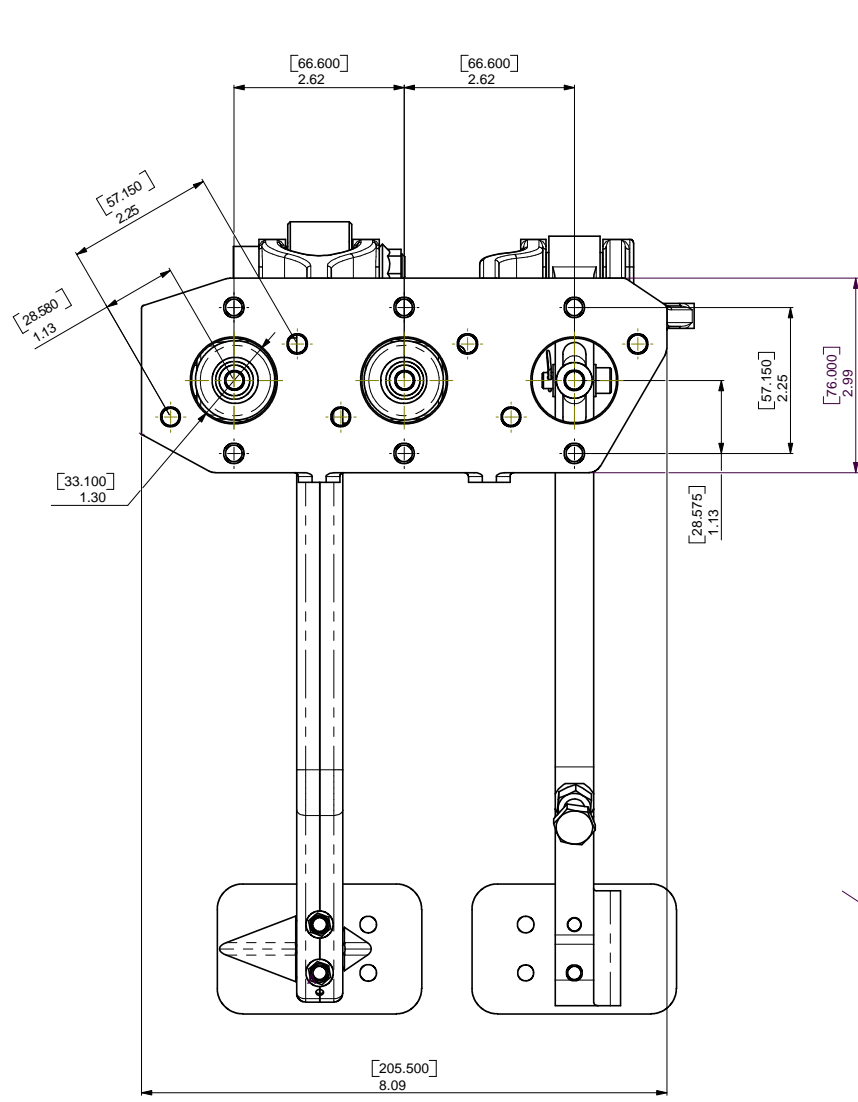
IF THIS DOCUMENT IS PRINTED IN HARD COPY, IT IS FOR INFORMATION USE ONLY AND THEREFORE IS NOT SUBJECT TO UPDATING CONTROLS. ALWAYS REFER TO SOLIDWORKS VIEWER FOR LATEST ISSUE



THIS DRAWING IS CONFIDENTIAL AND IS SUPPLIED ON THE EXPRESS CONDITION THAT IT SHALL NOT BE LOANED OR COPIED OR DISCLOSED TO ANY OTHER PERSON OR USED FOR ANY OTHER PURPOSE WITHOUT THE WRITTEN CONSENT OF AP RACING LTD.

AP RACING
 © AP Racing Ltd. 2004
 AP Racing
 Wheeler Road
 Coventry
 CV3 4LB
 Tel: +44 024 7663 9595
 Fax: +44 024 7663 9559
 e-mail: sales@apracings.co.uk
 Web site: HTTP://www.apracings.com

Alterations			
Issue No.	Date & No.	Particulars	Zone Initials
1	27/10/2004	FIRST ISSUE	# CDA
2	31/05/2004	SEVERAL NOTES WERE UPDATED.	# CDA

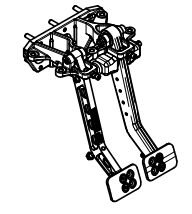


GENERAL DESCRIPTION
 THIS IS CP5507-18 PEDAL BOX ASSEMBLY. THE PEDAL BOX FEATURES A STEEL FABRICATED BRAKE PEDAL AND MACHINED ALUMINIUM CLUTCH. THE FOOT PADS CAN BE ADJUSTED FROM EITHER A CENTRAL MOUNT OR OFFSET TO THE RIGHT. THE PEDAL RATIO IS 6:1. THE CLUTCH PEDAL HAS AN ADJUSTABLE STOP. THE CLUTCH AND BRAKE PEDAL PIVOTS HAVE BALL BEARINGS TO GIVE A SMOOTH CONSISTENT FEEL. INCLUDES A HEAVY DUTY BALANCE BAR (0.5") WITH RUBBER DIRT BOOTS.
 A REMOTE CABLE ADJUSTER FOR THE BALANCE BAR IS INCLUDED.
 PEDAL RETURN STOPS ARE PROVIDED.
 BASE PLATE CAN ACCOMMODATE STANDARD VERTICAL FLANGE MASTER CYLINDERS AND 60° ANGLED FLANGE MASTER CYLINDERS. SUITABLE MASTER CYLINDERS AND BORE SIZES ARE SHOWN BELOW.

MASTER CYLINDER FAMILY	FLANGE TYPE	BORE RANGE
CP2623	STANDARD VERTICAL	14.0mm - 1"
CP4623	60 DEG ANGLED	14.0mm - 1"
CP2293	STANDARD VERTICAL	5/8" - 1"
CP6221	60 DEG ANGLED	7/10" - 1"
CP6231	STANDARD VERTICAL	7/10" - 1"

RECOMMENDED MASTER CYLINDERS		
BORE SIZE	BRAKE PEDAL	CLUTCH PEDAL
14.0mm (0.551)	CP###-88PRT103	CP###-88PRT082
15.0mm (0.591)	CP###-89PRT103	CP###-89PRT082
15.9mm - 5/8" (0.625)	CP###-90PRT103	CP###-90PRT082
17.8mm - 7/10" (0.7)	CP###-91PRT103	CP###-91PRT082
19.1mm - 3/4" (0.75)	CP###-92PRT103	CP###-92PRT082
20.6mm - 13/16" (0.812)	CP###-93PRT103	CP###-93PRT082
22.2mm - 7/8" (0.875)	CP###-94PRT103	CP###-94PRT082
23.8mm - 15/16" (0.937)	CP###-95PRT103	CP###-95PRT082
25.4mm - 1.0"	CP###-96PRT103	CP###-96PRT082

ENTER MASTER CYLINDER FAMILY NUMBER WHERE ### APPEARS.



NOTE:
 DIMS SHOWN IN INCHES
 ALL BRACKETED DIMS IN MM

VIEW IN DIRECTION OF ARROW A

SCALE 1:1 SHEET 1 OF 2
 DRAWN CHRIS ARROWSMITH
 APPROVED
 DERIVED FROM
 TITLE
 UNDERSLUNG PUSH TYPE PEDAL BOX, 2 PEDAL ASSEMBLY
 DRG NO. cp5507-18cd

A0 INSTALLATION DRAWING

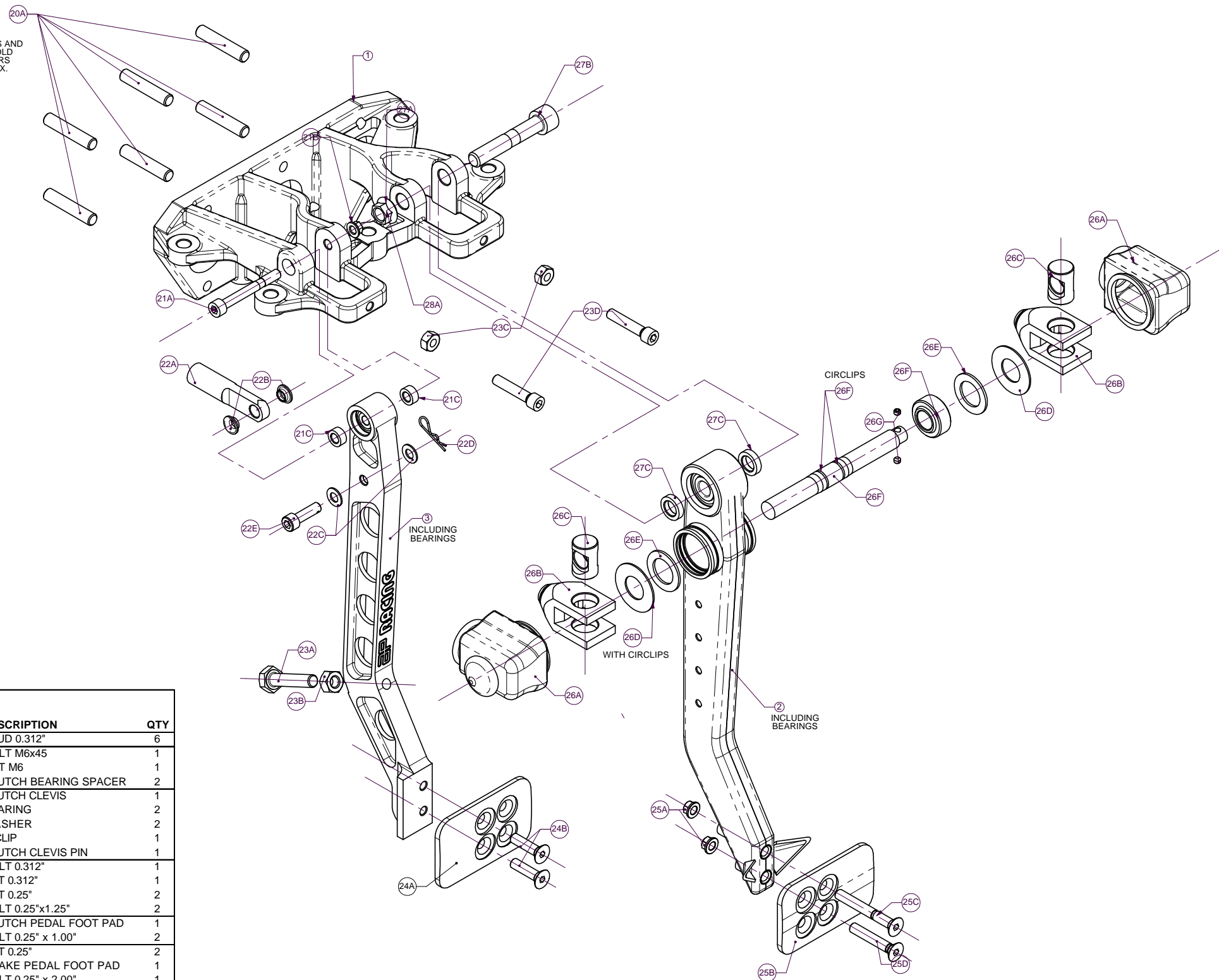
IF THIS DOCUMENT IS PRINTED IN HARDCOPY, IT IS FOR INFORMATION USE ONLY AND THEREFORE IS NOT SUBJECT TO UPDATING CONTROLS. ALWAYS REFER TO SOLIDWORKS VIEWER FOR LATEST ISSUE



THIS DRAWING IS CONFIDENTIAL AND IS SUPPLIED ON THE EXPRESS CONDITION THAT IT SHALL NOT BE LOANED OR COPIED OR DISCLOSED TO ANY OTHER PERSON OR USED FOR ANY OTHER PURPOSE WITHOUT THE WRITTEN CONSENT OF AP RACING LTD.

© AP Racing Ltd. 2004
 AP Racing
 Wheeler Road
 Coventry
 CV3 4LB
 Tel: +44 024 7663 9595
 Fax: +44 024 7663 9559
 e-mail: sales@apracings.com
 Web site: HTTP://www.apracings.com

INCLUDES SPRING WASHERS AND LOCK NUTS TO HOLD MASTER CYLINDERS TO THE PEDAL BOX.



Alterations			
Issue No.	Date & No.	Particulars	Zone
		SEE SHEET 1 FOR ISSUE INFO	

PARTS

REF	Pt No.	DESCRIPTION
1	CP5507-190	BASE PLATE

SUB ASSEMBLIES

REF	Pt No.	DESCRIPTION
2	CP5507-197	BRAKE PEDAL SUB ASSY
3	CP5507-198	CLUTCH PEDAL SUB ASSY
4	CP2905-18	REMOTE CABLE ADJUSTER

KITS

REF	Pt No.	DESCRIPTION	REF	DESCRIPTION	QTY
20	CP5507-20	STUD KIT	A	STUD 0.312"	6
21	CP5507-21	CLUTCH PEDAL PIVOT KIT	A	BOLT M6x45	1
			B	NUT M6	1
			C	CLUTCH BEARING SPACER	2
22	CP5507-22	CLUTCH CLEVIS KIT	A	CLUTCH CLEVIS	1
			B	BEARING	2
			C	WASHER	2
			D	R CLIP	1
			E	CLUTCH CLEVIS PIN	1
23	CP5507-23	CLUTCH STOP KIT	A	BOLT 0.312"	1
			B	NUT 0.312"	1
			C	NUT 0.25"	2
			D	BOLT 0.25"x1.25"	2
24	CP5507-24	CLUTCH FOOTPAD KIT	A	CLUTCH PEDAL FOOT PAD	1
			B	BOLT 0.25" x 1.00"	2
25	CP5507-25	BRAKE FOOTPAD KIT	A	NUT 0.25"	2
			B	BRAKE PEDAL FOOT PAD	1
			C	BOLT 0.25" x 2.00"	1
			D	BOLT 0.25" x 1.50"	1
26	CP5507-26	BALANCE BAR KIT	A	RUBBER BOOT	1
			B	BRAKE CLEVIS	2
			C	BARREL NUT	2
			D	WASHER	2
			E	WASHER	2
			F	HEAVY DUTY BALANCE BAR	1
			G	GRUB SCREW 0.16"	2
			H	RUBBER BOOT	1
27	CP5507-27	BRAKE PEDAL PIVOT KIT	A	NUT M10	1
			B	BOLT M10 x 57	1
			C	BRAKE BEARING SPACER	2

SCALE 1:1	SHEET 2 OF 2
DRAWN	CHRIS ARROWSMITH
APPROVED	
DERIVED FROM	
TITLE UNDERSLUNG PUSH TYPE PEDAL BOX, 2 PEDAL ASSEMBLY	
DRG NO.	cp5507-18cd