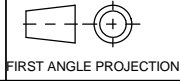


# A2 INSTALLATION DRAWING

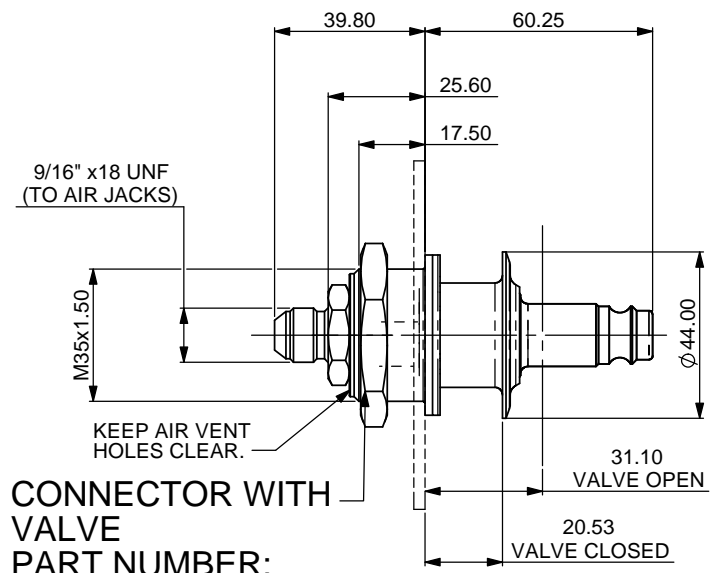
If this document is printed in hardcopy, it is for information use only and therefore is not subject to updating controls. Always refer to viewer for latest issue.



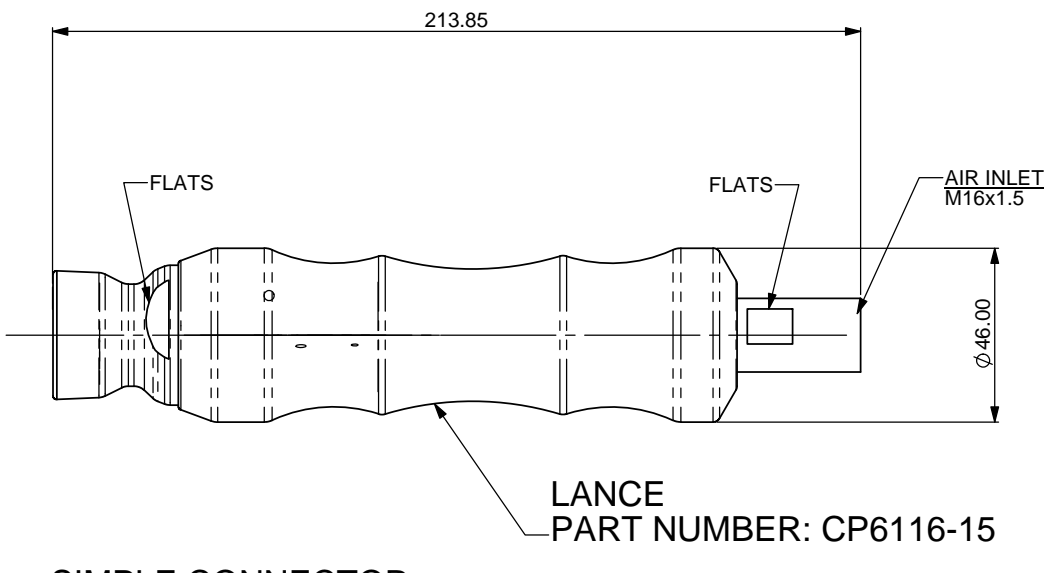
THIS DRAWING IS CONFIDENTIAL AND IS SUPPLIED ON THE EXPRESS CONDITION THAT IT SHALL NOT BE LOANED OR COPIED OR DISCLOSED TO ANY OTHER PERSON OR USED FOR ANY OTHER PURPOSE WITHOUT THE WRITTEN CONSENT OF AP RACING LTD.



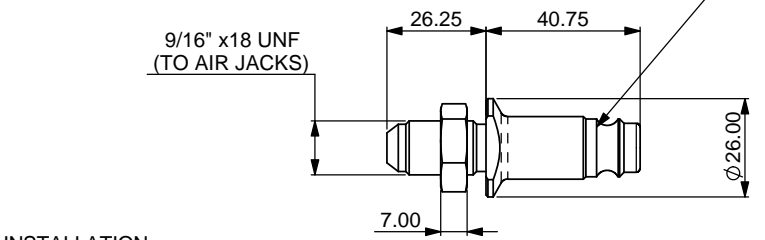
**AP Racing**  
 Wheler Road  
 Coventry  
 CV3 4LB  
 Tel: +44 024 7663 9595  
 Fax: +44 024 7663 9559  
 e-mail: sales@ap racing.co.uk  
 Web site: http://www.ap racing.com



**CONNECTOR WITH VALVE**  
**PART NUMBER: CP6116-3**



**SIMPLE CONNECTOR**  
**PART NUMBER: CP6116-4**



**INSTALLATION**

1. ATTACH THE CONNECTOR VALVE ASSEMBLY TO VEHICLE AND LINK TO AIR JACKS.
2. ATTACH AIR LINE TO THE LANCE ASSEMBLY.

**CONNECTING**

3. OFFER THE LANCE ASSEMBLY SQUARELY ONTO THE SNAP ON CONNECTOR ASSEMBLY.
4. PUSH THE LANCE INTO PLACE UNTIL IT LATCHES ONTO THE CONNECTOR. IF YOU ARE USING THE CP6116-3 CONNECTOR, THE VALVE WILL CLOSE AUTOMATICALLY. IF OPEN, AIR WILL IMMEDIATELY PASS THROUGH THE CONNECTORS AND INTO THE AIR JACKS.

**DIS-CONNECTION**

5. PULL THE WHOLE LANCE ASSEMBLY OFF THE CONNECTOR. ENSURE THAT YOU ONLY HAVE YOUR HANDS ON THE LANCE, IF YOU ARE HOLDING THE PIPE AT THE BACK OF THE LANCE YOU MAY RESTRICT ITS FUNCTION.

**VENTING THE AIR JACKS, WITH CP6116-3 CONNECTOR**

6. OPEN THE VALVE BY PULLING THE OPERATING SLEEVE FULLY OUT.

**VENTING THE AIR JACKS, WITH CP6116-4 CONNECTOR**

6. AS THERE IS NO VALVE, THE AIR WILL BE RELEASED AS SOON AS THE LANCE IS REMOVED.

**WEIGHTS:**

CP6116-3	180 g
CP6116-4	~70 g
CP6116-15	~650 g

**TO MAINTAIN THE LANCE IT IS RECOMMENDED TO SPRAY SILICONE SEPARATOR SPRAY DOWN THE NOSE OF THE LANCE, AND THEN ENGAGE THE LANCE ONTO THE CONNECTOR 3 OR 4 TIMES TO WORK THE SPRAY IN.**

**MAX OPERATING PRESSURE 40 BAR**

Issue No.	Alterations		Zone	Initials
	Date & No.	Particulars		
1	24/10/2008 B4577	FIRST ISSUE	#	CDA
2	03/02/2009 B4577	CP6116-4 ADDED. MAINTENANCE NOTES ADDED. MAX PRESSURE ADDED.	#	CDA
3	19/03/2014 B6837_03	CP6116-8 REPLACES -5.	#	CDA
4	04/06/2014 B6837_04	CP6116-15 REPLACES -8.	#	CDA
5	07/02/2017	WEIGHTS ADDED.	#	CDA

SCALE 1:1	SHEET 1 OF 1
DRAWN	Chris Arrowsmith
APPROVED	
DERIVED FROM	
TITLE AIR JACK LANCE AND VALVE EASY CONNECT	
DRG NO.	CP6116-1CD