

A1 INSTALLATION DRAWING

IF THIS DOCUMENT IS PRINTED IN HARDCOPY, IT IS FOR INFORMATION USE ONLY AND THEREFORE IS NOT SUBJECT TO UPDATING CONTROLS. ALWAYS REFER TO SOLIDWORKS VIEWER FOR LATEST ISSUE



THIS DRAWING IS CONFIDENTIAL AND IS SUPPLIED ON THE EXPRESS CONDITION THAT IT SHALL NOT BE LOANED OR COPIED OR DISCLOSED TO ANY OTHER PERSON OR USED FOR ANY OTHER PURPOSE WITHOUT THE WRITTEN CONSENT OF AP RACING LTD.

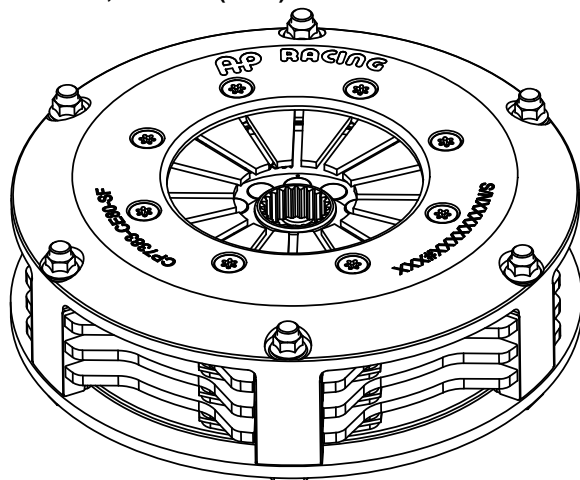


AP Racing
Wheler Road
Coventry
CV3 4LB

Tel: +44 (0) 24 7663 9595
Fax: +44 (0) 24 7663 9559
e-mail: engineering@apracings.com
Web site: <http://www.apracing.com>

© AP Racing Ltd. 2019

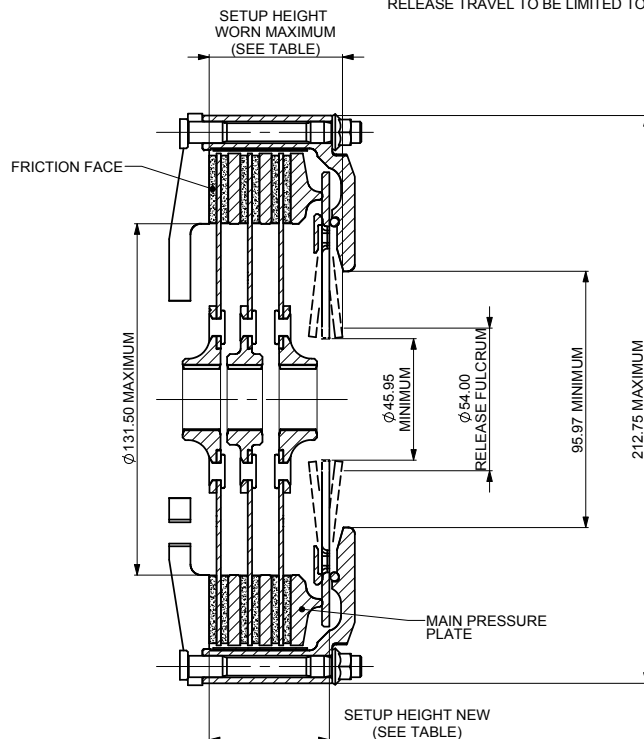
CP7383, Ø184mm (7.25") PADDLE CLUTCH ASSEMBLY



RECOMMENDED RELEASE BEARING :

STEEL CAGED, ROUND NOSED BALL TYPE BEARING TO BE FREE OF SPRING FINGERS WHEN CLUTCH IS FULLY ENGAGED.
CP3457-2 STANDARD RELEASE BEARING (OUTER RACE ROTATES)
CP3457-6 HIGH SPEED RELEASE BEARING (INNER RACE ROTATES).

RELEASE TRAVEL TO BE LIMITED TO 5.50mm MAXIMUM



CP7383 CLUTCH FAMILY

MAXIMUM DYNAMIC TORQUE CAPACITY

(Nm)	1508	1257	789	485				
(ft.lb)	1111	926	581	358				

RELEASE LOAD

Max. Peak New (N)	4000	3500	2400	1600				
Max. Peak Worn (N)	5100	4400	3300	2200				

WEAR IN (See Note)

	0.75	0.75	0.75	0.75				
--	------	------	------	------	--	--	--	--

Set Up Height New	48.06	47.81	48.60	47.78				
	44.71	44.46	45.22	44.42				
Set Up Height Worn - MAX	51.27	51.02	51.81	51.00				

(Set Up Height is calculated from the flywheel friction face.)

Release Ratio	4.10	4.10	4.10	4.10				
---------------	------	------	------	------	--	--	--	--

Estimated Assembly Mass (Excluding Driven Plates) = 3.20 Kg

Estimated Assembly Inertia (Excluding Driven Plates) = 0.0211 Kgm²

Estimated Driven Plate Inertia - See Sheet 2

PERFORMANCE SUFFIX	TE	CE	OE	NE				
For Reference								
Diaphragm Spring Rate	TGY	CRV	ORA	GRN				
Clutch Ratio	HER	EHR	EHR	EHR				

MATERIAL SUFFIX	DRIVE PLATE MATERIAL	DRIVE PLATE THICKNESS		
80	CERAMETALLIC	7.11mm		

FLYWHEEL TYPE

	SUFFIX	COMMENTS
FLAT FLYWHEEL	FF	N/A
STEPPED FLYWHEEL	SF	FOR INSTALLATION DATA SEE SHEET 2

Sample AP Racing Part No. **CP7383-CE80-SF**

WEAR IN

THIS CLUTCH HAS BEEN DESIGNED FOR THE WEAR IN INDICATED ABOVE,

DRIVEN PLATE THICKNESS NEW: 7.11mm NOMINAL

DRIVEN PLATE THICKNESS WORN: 6.86mm MIN

DRIVEN PLATES - SEE SHEET 2

Issue No.	Alterations			Zone	Initials
	Date & No.	Particulars	#		
01A	06/11/17 C5190	FIRST ISSUE		#	AC
01B	26/02/18 C5190_02	1 5/32" x 26T DRIVEPLATE OPTIONS ADDED TO TABLE		#	AC
01C	22/11/2018 C5315	1 1/8" x 10T DRIVEPLATE OPTIONS, CP5386-11 AND CP5386-K040H, ADDED TO TABLE (C-2) SHEET 2			C2 TBT
01D	18/02/2019 C5338	CP8600-K040 REPLACED BY CP8600-K040H			B2 TBT
01E	20/02/2019 C5338	ADDED CP8600-A040H			1E TBT

SCALE 1:1	SHEET 1 OF 2
DRAWN	AARON COUSINS
APPROVED	
DERIVED FROM	CP7832
TITLE	Ø184 (7.25") TRIPLE PLATE CLUTCH INSTALLATION
DRG NO.	CP7383-1CD

A1 INSTALLATION DRAWING

IF THIS DOCUMENT IS PRINTED IN HARDCOPY, IT IS FOR INFORMATION USE ONLY AND THEREFORE IS NOT SUBJECT TO UPDATING CONTROLS. ALWAYS REFER TO SOLIDWORKS VIEWER FOR LATEST ISSUE



THIS DRAWING IS CONFIDENTIAL AND IS SUPPLIED ON THE EXPRESS CONDITION THAT IT SHALL NOT BE LOANED OR COPIED OR DISCLOSED TO ANY OTHER PERSON OR USED FOR ANY OTHER PURPOSE WITHOUT THE WRITTEN CONSENT OF AP RACING LTD.



AP Racing
Wheler Road
Coventry
CV3 4LB

Tel: +44 (0) 24 7663 9595
Fax: +44 (0) 24 7663 9559
e-mail: engineering@apracings.co.uk
Web site: <http://www.apracings.com>

© AP Racing Ltd. 2019

FLYWHEEL DIMENSIONS

STEPPED FLYWHEEL SUFFIX -SF

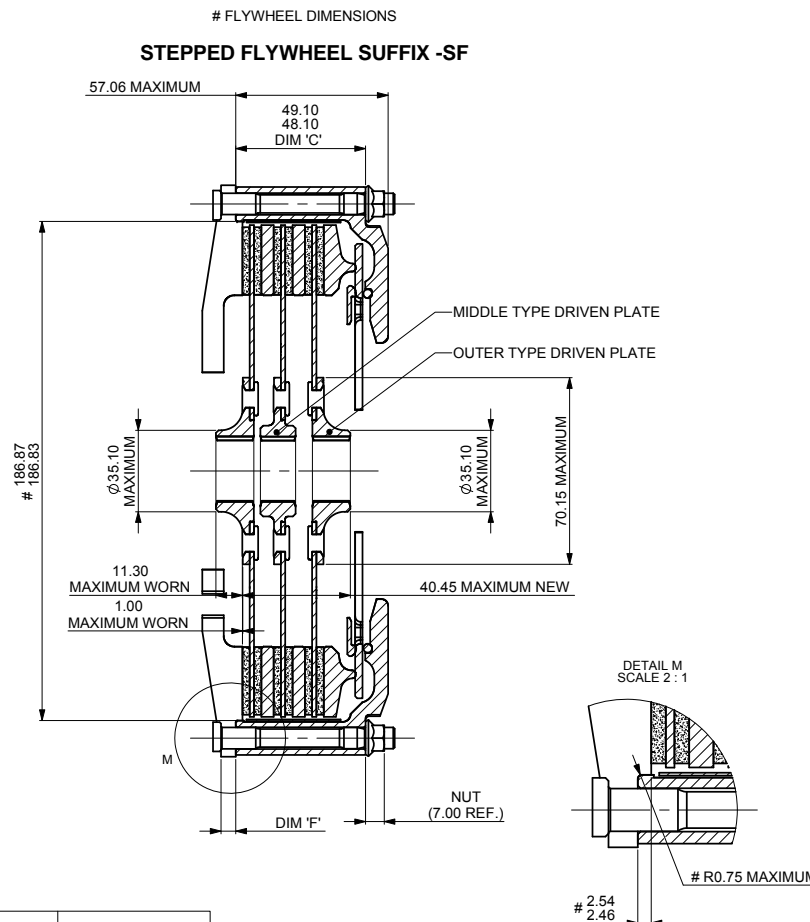
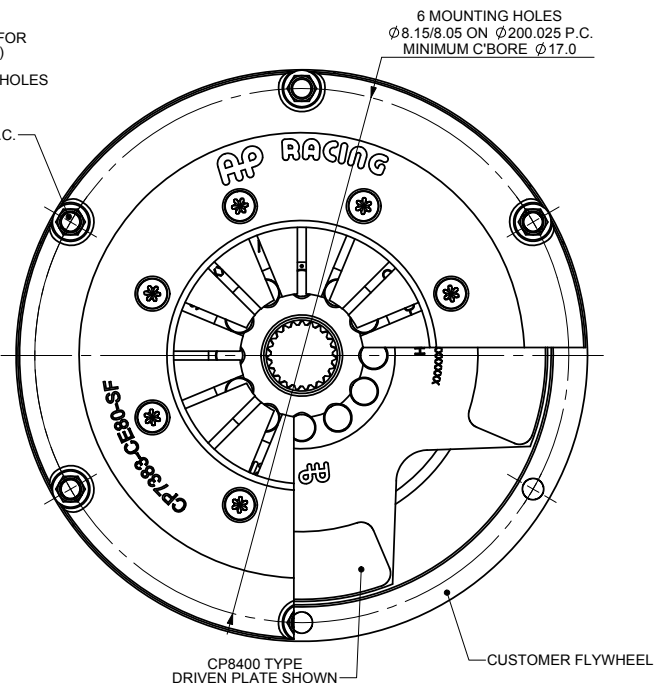


PLATE TYPE	TYPICAL ASSEMBLY MASS	TYPICAL ASSEMBLY INERTIA
CP8400	1.572kg	0.0059kg/m ²
CP8600	2.008kg	0.0087kg/m ²
CP5386	1.746kg	0.0069kg/m ²

VALUES ARE FOR 3 DRIVEN PLATES

RECOMMENDED CLUTCH MOUNTING :

(FOR ALL TYPES OF ASSEMBLY)
M8 x 1.0, CP4702 FAMILY STUD AND K-LOCK NUT.
TIGHTENING TORQUE : 19Nm (14 ft.lb)

LENGTH OF STUD REQUIRED TO BE CALCULATED THUS :

STUD LENGTH = DIMENSIONS 'C' + 'F' + NUT

THIS CALCULATED LENGTH TO BE ROUNDED UP TO THE NEXT AVAILABLE STANDARD STUD LENGTH.

SUGGESTED FLYWHEEL MATERIAL:

0.35/0.45% CARBON STEEL, BRINELL 200 MIN. OR SUITABLE MATERIAL FOR HIGH RPM. FRICTION FACE TO BE FINE TURNED AND GROUND SMOOTH AND FLAT. RUN OUT AT R77.2, ≤0.08 WHEN ASSEMBLED TO CRANKSHAFT.

Issue No.	Alterations			Zone	Initials
	Date & No.	Particulars			
-	-	SEE SHEET 1 FOR ISSUE INFORMATION.	-	-	-

SCALE 1:1	SHEET 2 OF 2
DRAWN	AARON COUSINS
APPROVED	
DERIVED FROM	CP7972
TITLE	
Ø184 (7.25") TWIN PLATE CLUTCH INSTALLATION	
DRG NO.	CP7383-1CD

	PART NUMBER	DETAIL	REQUIRED	SPLINE
4 PADDLE	CP8400-A036H	OUTER TYPE	2	1" x 23T
	CP8400-K036H	INNER TYPE	1	1" x 23T
	CP8400-A040	OUTER TYPE	2	1 5/32" x 26T
	CP8400-K040	INNER TYPE	1	1 5/32" x 26T
6 PADDLE	CP8600-A036H	OUTER TYPE	2	1" x 23T
	CP8600-K036H	INNER TYPE	1	1" x 23T
	CP8600-A040H	OUTER TYPE	2	1 5/32" x 26T
	CP8600-K040H	INNER TYPE	1	1 5/32" x 26T
ORGANIC	CP5386-10	OUTER TYPE	2	1" x 23T
	CP5386-K036H	INNER TYPE	1	1" x 23T
	CP5386-A040	OUTER TYPE	2	1 5/32" x 26T
	CP5386-K040	INNER TYPE	1	1 5/32" x 26T
	CP5386-11	OUTER TYPE	2	1 1/8" x 10T
	CP5386-K004H	INNER TYPE	1	1 1/8" x 10T

