

# B1 INSTALLATION DRAWING

IF THIS DOCUMENT IS PRINTED IN HARDCOPY, IT IS FOR INFORMATION USE ONLY AND THEREFORE IS NOT SUBJECT TO UPDATING CONTROLS. ALWAYS REFER TO SOLIDWORKS VIEWER FOR LATEST ISSUE

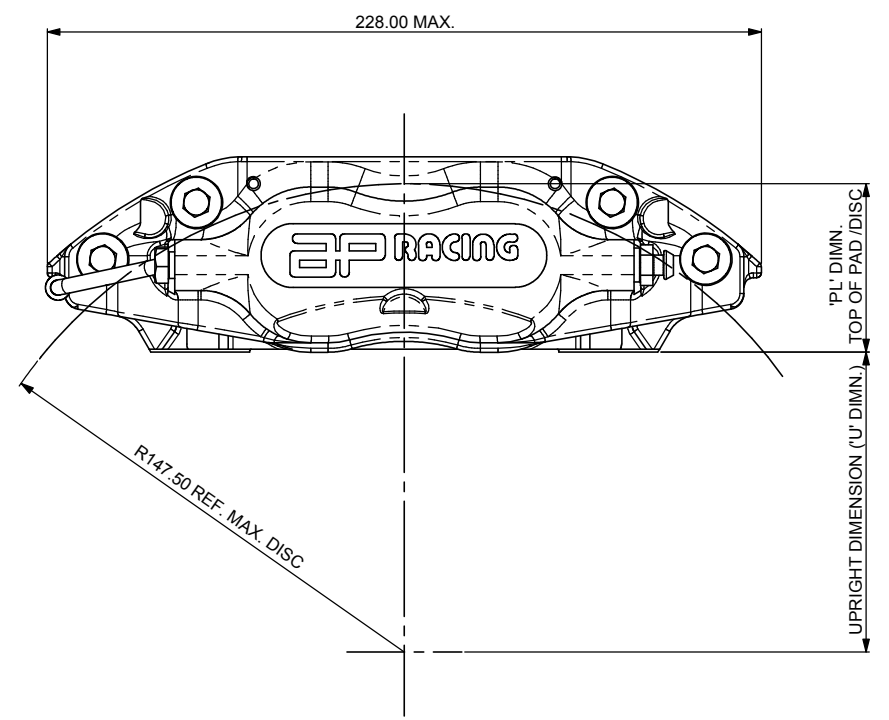
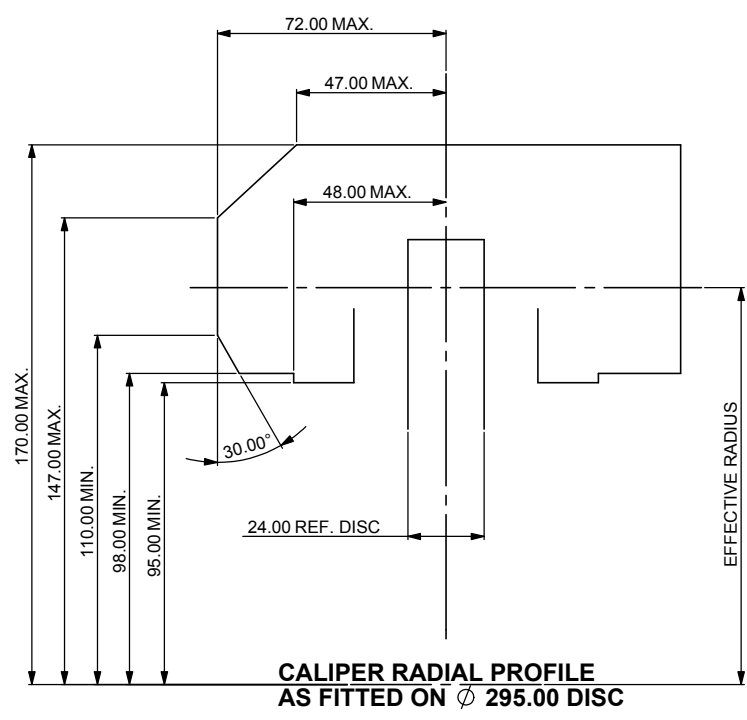


THIS DRAWING IS CONFIDENTIAL AND IS SUPPLIED ON THE EXPRESS CONDITION THAT IT SHALL NOT BE LOANED OR COPIED OR DISCLOSED TO ANY OTHER PERSON OR USED FOR ANY OTHER PURPOSE WITHOUT THE WRITTEN CONSENT OF AP RACING LTD.

© AP Racing Ltd. 2001  
 AP Racing  
 Wheler Road  
 Coventry  
 CV3 4LB  
 Tel: +44 024 7663 9595 e-mail: sales@apracing.co.uk  
 Fax: +44 024 7663 9559 Web site: HTTP://www.apracing.com

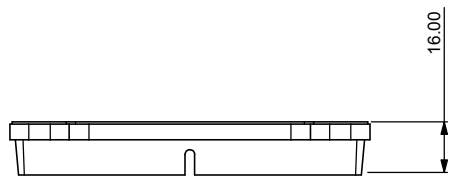
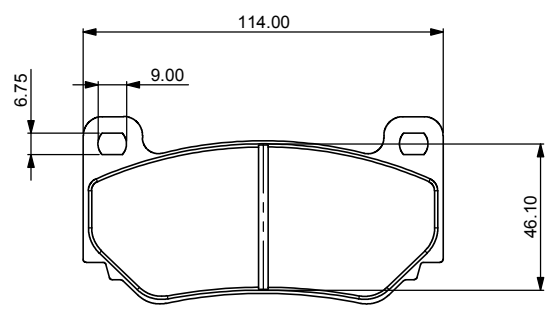
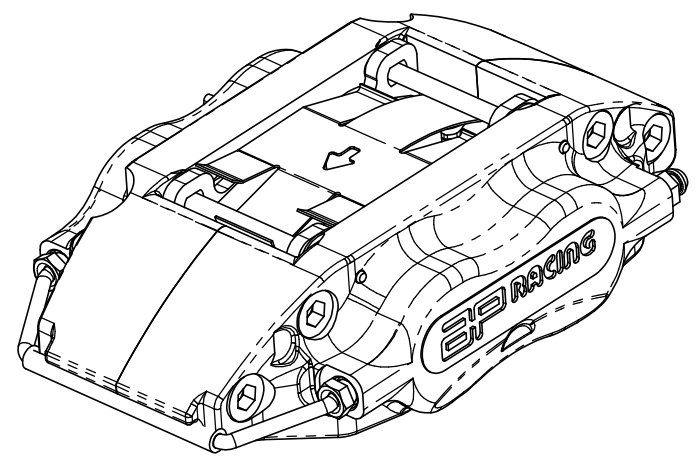
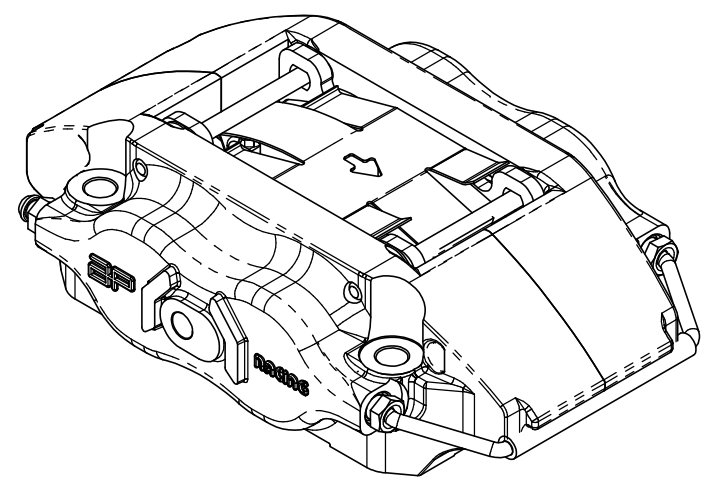
## CALIPER SPECIFICATION

BORE SIZE	38.10 X 38.10 (1.50" X 1.50")
PISTON AREA / PAD	22.80 SQ. CM
DISC DIA. MAX.	295.00
DISC THICKNESS MAX.	24.00
DISC THICKNESS MIN. (WORN CONDITION)	22.00 (DIFFERENTIAL WEAR NOT TO EXCEED 0.50MM SIDE TO SIDE)
WORKING PRESSURE MAX.	80 bar
HYDRAULIC FEED	M10 X 1.0
DRY WEIGHT (LESS PADS)	2.3 kg
PAD FAMILY	CP7600
EFFECTIVE RADIUS (ON DIA. 295.00 DISC)	125.00
'PL' DIMN.	53.00
OFFSET 'C' DIMN.	47.4
MTG. HOLE CENTRES 'D' DIMN.	130.00
PAD FRICTION MATERIAL MIN. THICKNESS	2.50
PAD RETENTION	2 X FRICTION RETAINED PINS
TIGHTENING TORQUES	BLEED SCREW : 17Nm HYDRAULIC FEED : 25Nm
CORROSION PROTECTION	FLUID RESISTANT RED PAINT FINISH - ALUMINIUM BODY BOOT TYPE DIRT SEALS

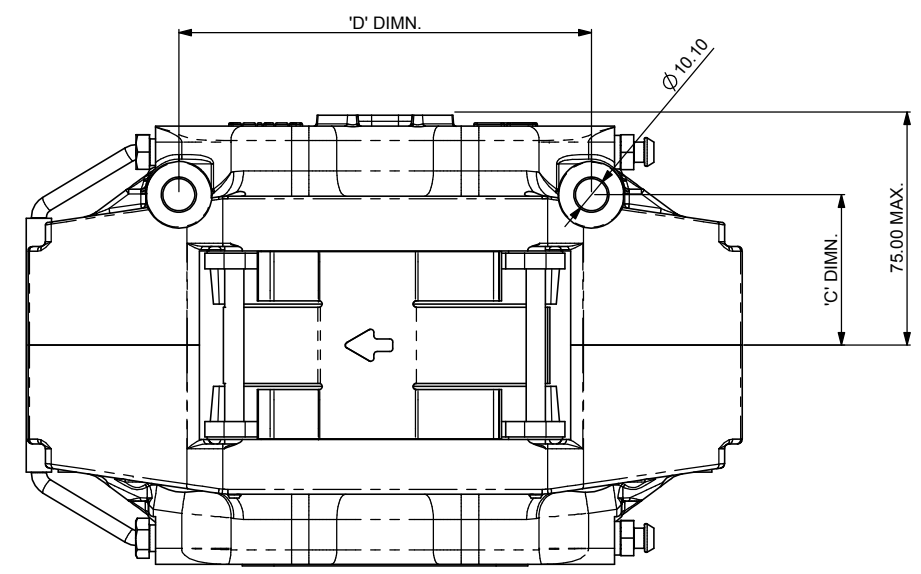


## CALIPER IDENTIFICATION CHART

RHT	RIGHT HAND TRAILING (BEHIND AXLE)
LHT	LEFT HAND TRAILING (BEHIND AXLE)
RHL	RIGHT HAND LEADING (IN FRONT OF AXLE)
LHL	LEFT HAND LEADING (IN FRONT OF AXLE)



**CP7600 PAD FAMILY**  
 PAD AREA (MAX.) - 45 SQ. CM



## PART NUMBERING CONVENTION

PART NUMBER	DESCRIPTION
CP7600-2S0	RHT - SIDE FEED - NO ANTI KNOCK BACK SPRING
CP7600-3S0	LHT - SIDE FEED - NO ANTI KNOCK BACK SPRING
CP7600-4S0	RHL - SIDE FEED - NO ANTI KNOCK BACK SPRING
CP7600-5S0	LHL - SIDE FEED - NO ANTI KNOCK BACK SPRING

Issue No	Alterations		Zone	Initials
	Date & No.	Particulars		
1	13/12/01 R0886	FIRST ISSUE	#	TTF
2	10/09/02 RAC10757	CALIPER SPECIFICATION UPDATED	N4	TTF

SCALE 1:1 SHEET 1 OF 1  
 DRAWN TOMISLAV FERENC  
 APPROVED  
 DERIVED FROM  
 TITLE  
 CALIPER INSTALLATION DRAWING  
 Ø 295 x 24 DISC INSTALLATIONS  
 DRG NO. cp7600-12cd