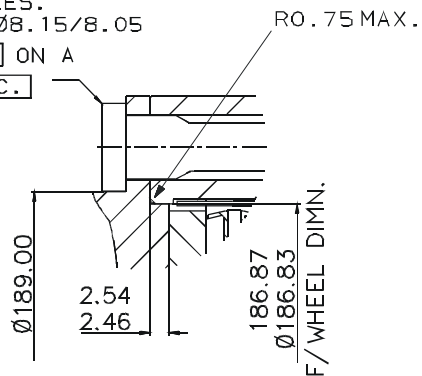




Flywheel Mounting Cont'd

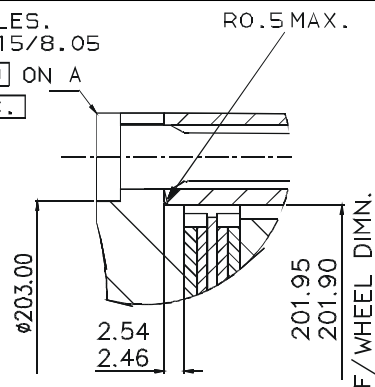
MOUNTING HOLES.
 6 / 12 HOLES Ø8.15/8.05
 EQUI-SPACED ON A
 Ø200.025 P.C.



Recommended stud & nut tightening torque = 22Nm (16 lb/ft)

Ø200mm Flat Flywheel

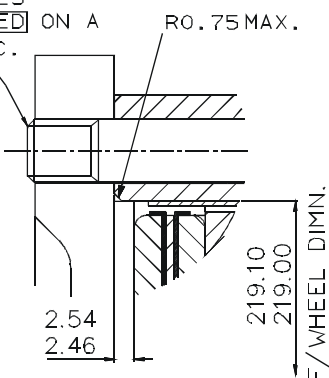
MOUNTING HOLES.
 6 HOLES Ø8.15/8.05
 EQUI-SPACED ON A
 Ø214.00 P.C.



Recommended stud & nut tightening torque = 22Nm (16 lb/ft)

Ø200mm Stepped Flywheel

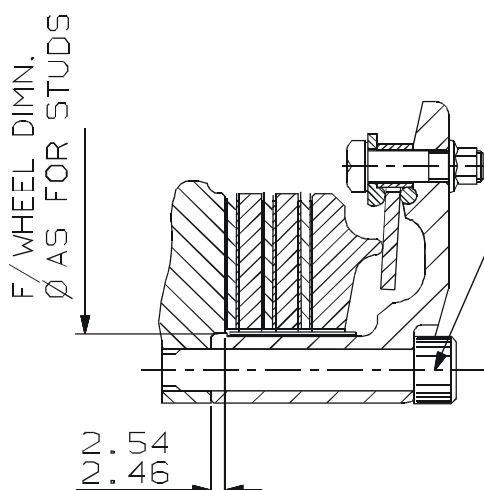
MOUNTING HOLES.
 6 OFF HOLES
 EQUI-SPACED ON A
 Ø232.0 P.C.
 ±0.05



Recommended stud & nut tightening torque = 22Nm (16 lb/ft)

Ø215mm Stepped Flywheel With Stud Fixing

Alternative Fixing using Bolt for (127mm - 215mm) Stepped Flywheel



6 / 8 HOLES MOUNTING HOLES.
 EQUI-SPACED ON A P.C.D
 AS FOR STUDS.
 THREAD M8 OR 5/16 UNF
 N.B. C'BORED THR'D
 TIGHTENING TORQUE:
 22.0 Nm (16 lb/ft)